

## Monitor bracket with ball joint

### Item description/product images

METRIC  
Parts



### Description

**Material:**

Clamp connector thermoplastic.

Flange aluminum.

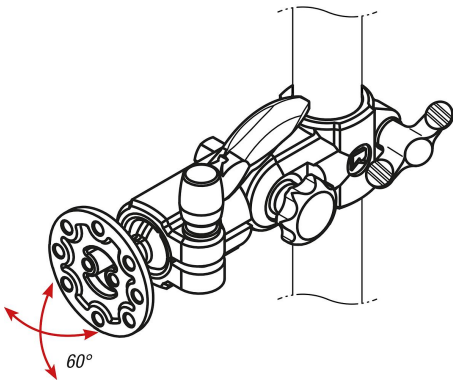
**Version:**

Clamp connector black.

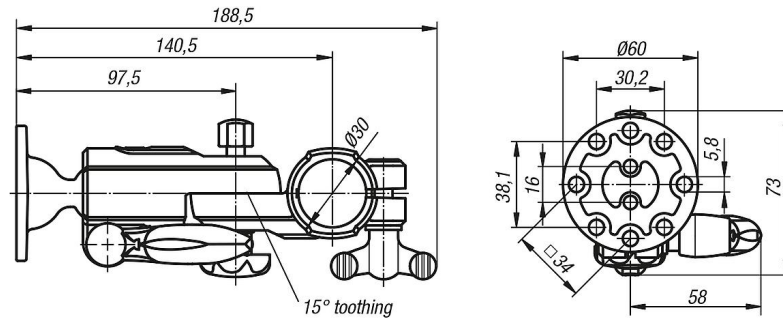
Flange bright.

**Note:**

Allows a swivel range of 60°. For loads up to 10 kg (static). With universal adapter plate. The base support is suitable for attaching to Ø30 mm round tubes.



### Drawings



Order No.	Image	Version
K1510.3002		Version 1 with ball joint