

Adjustable clamping elements for toggle clamps with force sensor

Item description/product images



Description

Material:

Spacer body stainless steel.
Grub screw stainless steel.
Protective cap thermoplastic.

Version:

Stainless steel bright.
Thermoplastic black.

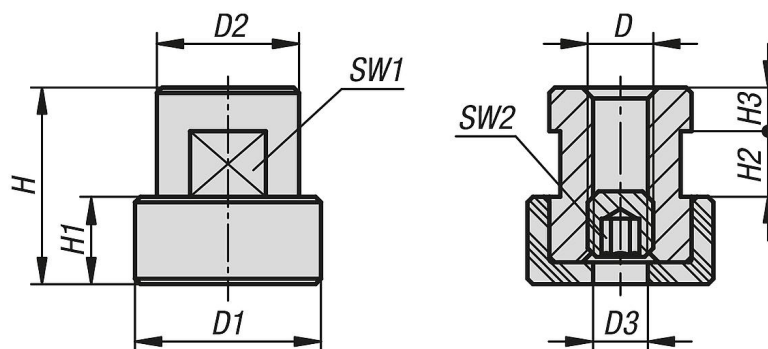
Note:

The thermoplastic used is characterized by high mechanical strength and rigidity.

Application:

The clamping element is used to adjust the clamping force of toggle clamps with force sensor. Clamping elements with different heights are available for workpieces with different thicknesses.

Drawings



Adjustable clamping elements for toggle clamps with force sensor

Order No.	Version 1	D	D1	D2	D3	H	H1	H2	H3	SW1	SW2
K1464.11306X18	adjustable	M6	17	13	5	18	8	6	4	11	3
K1464.11306X21	adjustable	M6	17	13	5	21	8	6	4	11	3
K1464.11306X23	adjustable	M6	17	13	5	23	8	6	4	11	3
K1464.11306X26	adjustable	M6	17	13	5	26	8	6	4	11	3
K1464.11306X29	adjustable	M6	17	13	5	29	8	6	4	11	3
K1464.11306X32	adjustable	M6	17	13	5	32	8	6	4	11	3
K1464.11308X22	adjustable	M8	17	13	5	22	8	8	4	11	4
K1464.11308X25	adjustable	M8	17	13	5	25	8	8	4	11	4
K1464.11308X28	adjustable	M8	17	13	5	28	8	8	4	11	4
K1464.11308X31	adjustable	M8	17	13	5	31	8	8	4	11	4
K1464.11308X34	adjustable	M8	17	13	5	34	8	8	4	11	4
K1464.11308X37	adjustable	M8	17	13	5	37	8	8	4	11	4
K1464.11308X40	adjustable	M8	17	13	5	40	8	8	4	11	4
K1464.11306	set	M6	17	13	5	-	8	6	4	11	3
K1464.11308	set	M8	17	13	5	-	8	8	4	11	4

