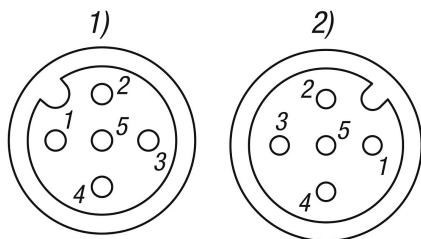


Connectors with screw fitting, style G

Item description/product images



Description

Material:

TPU housing.
PUR cable sheath.
Brass knurled nut.
Bronze contacts.

Version:

Tin-plated knurled nut.
Gold-plated contacts.
Number of pins: 5-pin
A-encoded.
screened.

Note:

Connectors with screw fitting. Connector moulded to cable.
Cable, PVC-, silicon- and halogen-free.
Drag-chain suitable.
Accessory for toggle clamp with force sensor K1463.

Technical data:

Cross-section: 5 x 0.34 mm²
Voltage: U max. 60 V
Electric current: I max. 4 A
Insulation resistance: > 1 GΩ
Number of plug cycles: max. 100
Degree of contamination: 3
Degree of protection: IP67

Application:

Connectors with screw fitting and cable serve as a connection cable for sensors and actuators.
The cable screening protects from outside interference and ensures error-free signal transmission.

Temperature range:

Fixed: -50 °C to +80°C
Moving: -25 °C to +80°C
Drag chain: -25 °C to +80°C

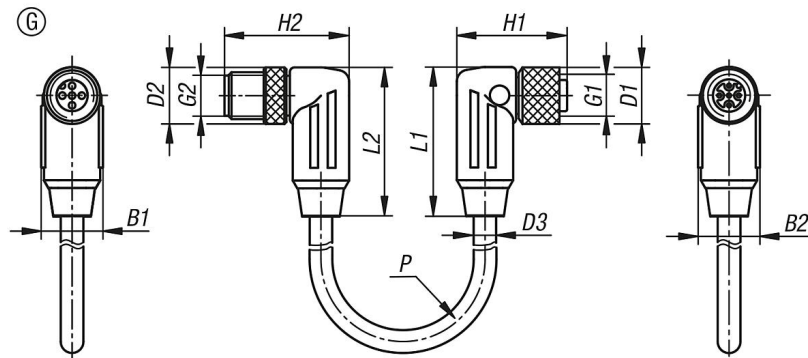
Drawing reference:

1) bushing, 2) plug

1 = brown (BN)
2 = white (WH)
3 = blue (BU)
4 = black (BK)
5 = gray (GY)

Connectors with screw fitting, style G

Drawings



Order No.	style	B1	B2	D1	D2	D3	G1	G2	H1	H2	L1	L2	P	No. of conductors x conductor cross-section
K1482.1221245X1000	G	15,5	15,5	14,5	14,5	6	M12X1	M12X1	28,35	32,05	38,25	38,25	1000	5X0,34 mm ²
K1482.1221245X5000	G	15,5	15,5	14,5	14,5	6	M12X1	M12X1	28,35	32,05	38,25	38,25	5000	5X0,34 mm ²