

Mini toggle clamps, horizontal with flat foot and fixed clamping spindle

Item description/product images



Description

Material:

Steel or stainless steel.

Version:

Electro zinc-plated steel.

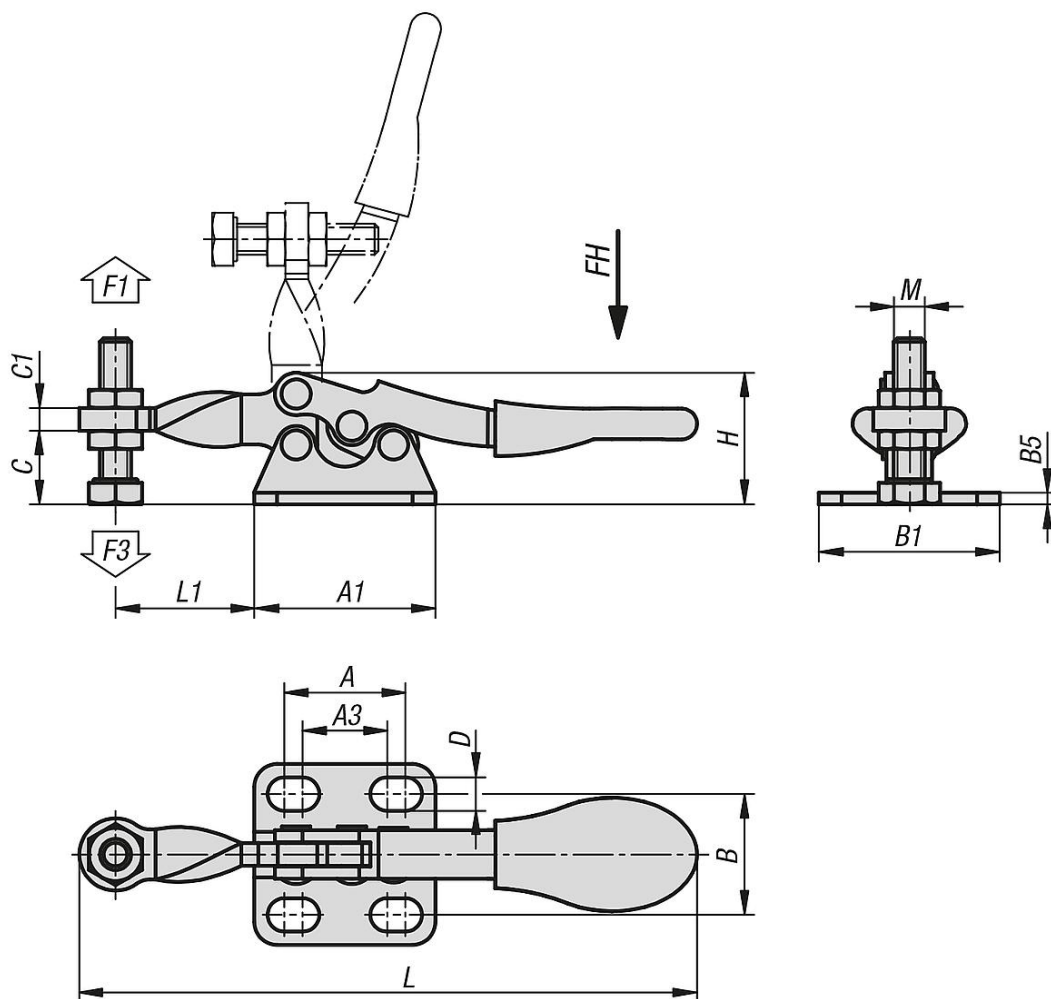
Bright stainless steel.

Plastic handle, oil-resistant.



Mini toggle clamps, horizontal with flat foot and fixed clamping spindle

Drawings



Mini toggle clamps, horizontal with flat foot and fixed clamping spindle

Order No.	Main material	Opening angle of holding arm	Opening angle of handle	Hand force FH N	Retaining force F1 N	Clamping force F3 N
K1541.00500	steel	90°	75°	80	500	250
K1541.10500	stainless steel	90°	75°	80	500	250

Order No.	Main material	A	A1	A3	B	B1	B5	C	C1	D	H	L	L1	M
K1541.00500	steel	15,9	23,8	11,1	15,9	23,8	1,5	9,7	3	4,4	17,3	81,2	18,3	M4x20
K1541.10500	stainless steel	15,9	23,8	11,1	15,9	23,8	1,5	9,7	3	4,4	17,3	81,2	18,3	M4x20