

# Toggle clamps latch horizontal with catch plate

## Item description/product images



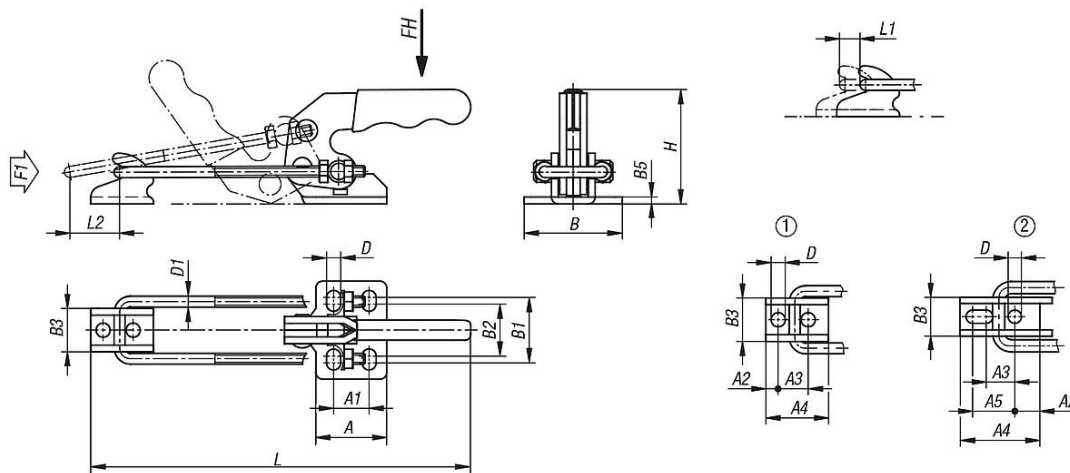
### Description

**Material:**  
Steel or stainless steel.

**Version:**  
Electro zinc-plated steel.  
Bright stainless steel.  
Plastic handle, oil-resistant.

**Note:**  
Latch toggle clamps are especially suitable for quickly closing and locking covers and hatches.  
The travel can be set by altering the hasp length.

## Drawings



## Toggle clamps latch horizontal with catch plate

Order No.	Main material	hole arrangement	Traction force F1 N	Hand force FH N	A	A1	A2	A3	A4	A5	B	B1	B2	B3	B5	D	D1	H	Travel path L min.	Travel path L max.	L1	Clamping travel L2
K1260.02000	steel	1	2000	100	26	13	4,5	11	23	-	36	24	19	16	2,5	5,2	4	42	101,7	142,3	40,6	16
K1260.04000	steel	2	4000	150	35	19	12,2	14	39,1	20,6	48	32	24,8	19	3	6,5	6	60,5	142,4	192,2	49,8	24
K1260.07000	steel	1	7000	200	51	32	8	19	40	-	60	45	36	28	4	8,5	8	85,6	177,7	234	56,3	32
K1260.12000	stainless steel	1	2000	100	26	13	4,5	11	23	-	36	24	19	16	2,5	5,2	4	42	101,7	142,3	40,6	16
K1260.14000	stainless steel	2	4000	150	35	19	12,2	14	39,1	20,6	48	32	24,8	19	3	6,5	6	60,5	142,4	192,2	49,8	24

**Toggle clamps latch horizontal with catch plate**

Order No.	Main material	hole arrangement	Traction force F1 N	Hand force FH N	A	A1	A2	A3	A4	A5	B	B1	B2	B3	B5	D	D1	H	Travel path L min.	Travel path L max.	L1	Clamping travel L2
<b>K1260.17000</b>	stainless steel	1	7000	200	51	32	8	19	40	-	64	45	36	28	4	8,6	8	76,6	177,7	234	56,3	32