

## Toggle clamps vertical with angled foot and fixed clamping spindle

### Item description/product images



### Description

**Material:**

Steel.

**Version:**

Trivalent passivated.

Clamping spindle and nuts phosphated.

Plastic grip oil-resistant.

**Note:**

A neoprene thrust pad is supplied with versions K1436.00800 and K1436.01600.

**Accessory:**

K0688

K0689

K0690

K0101

K1442

K0102

K0103

K1443

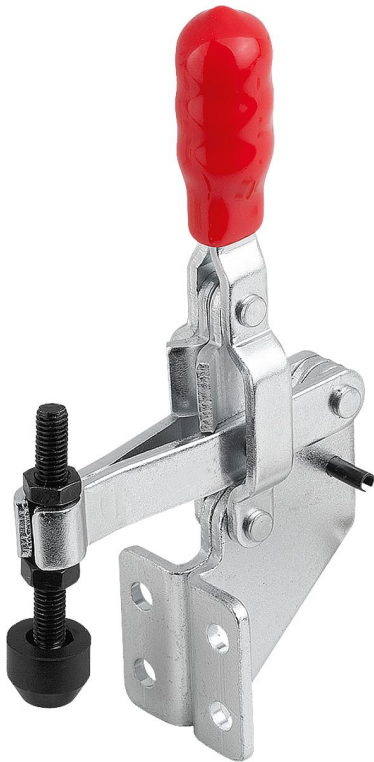
K0104

K0106

# Toggle clamps vertical with angled foot and fixed clamping spindle

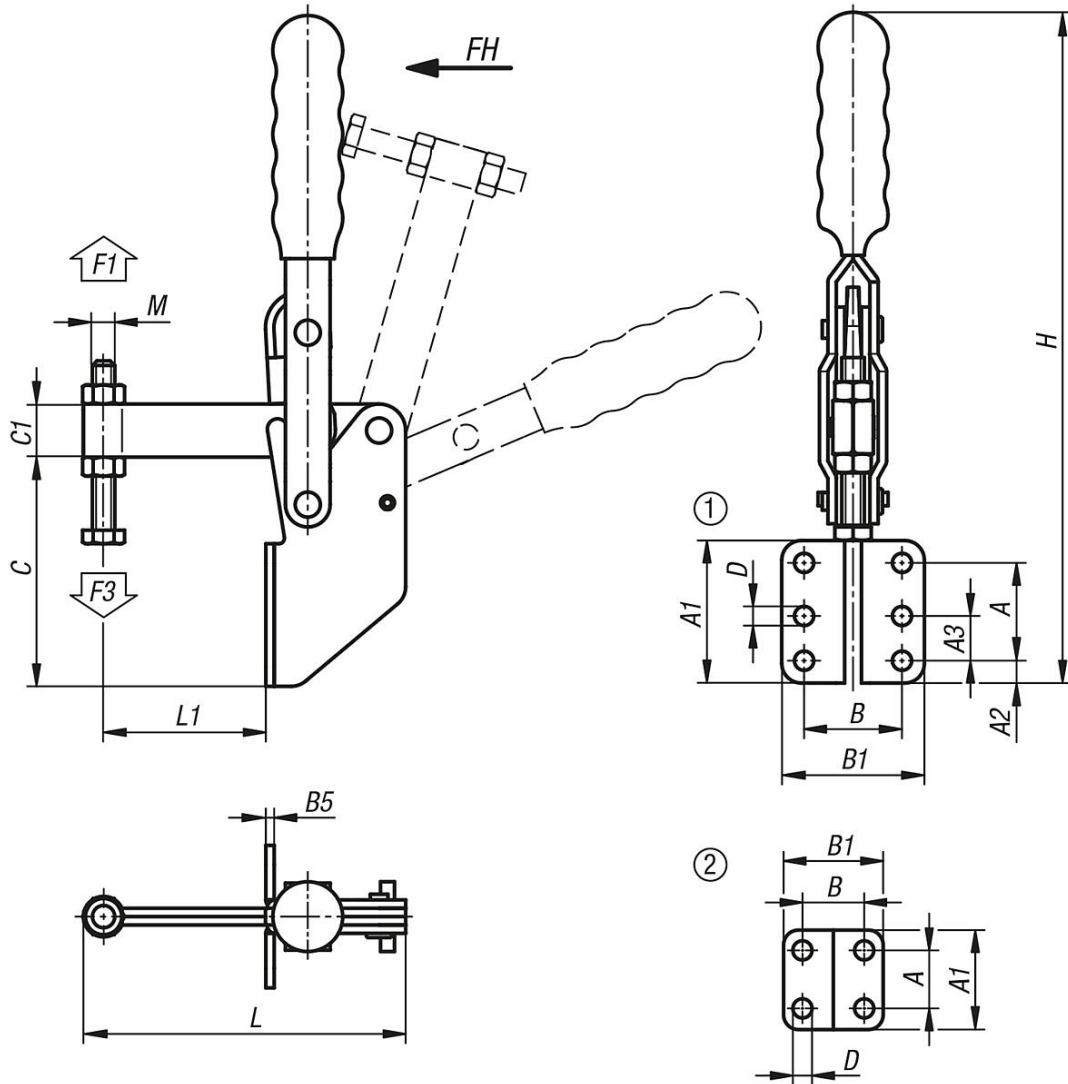
Item description/product images

---



# Toggle clamps vertical with angled foot and fixed clamping spindle

## Drawings



## Toggle clamps vertical with angled foot and fixed clamping spindle

Order No.	hole arrangement	Opening angle of holding arm	Opening angle of handle	Hand force FH N	Retaining force F1 N	Clamping force F3 N
K1436.00800	2	96°	69°	50	800	600
K1436.01600	2	108°	70°	100	1600	1100
K1436.03000	1	106°	67°	100	3000	1100

Order No.	A	A1	A2	A3	B	B1	B5	C	C1	D	H	L	L1	M
K1436.00800	14	29	-	-	17,5	28	2,5	44	10	4,9	121	65,65	24,5	M5x35
K1436.01600	19	35	-	-	26	42	3	64	13	5,5	170	75,7	26	M6x50
K1436.03000	35	51	8	16	35	51	3	82	19	6,8	244	115,3	58	M8x60