

# Spring plungers with hexagon socket and flattened POM thrust pin, steel

## Item description/product images



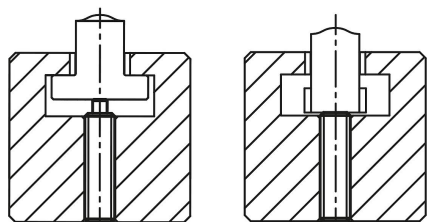
### Description

**Material:**  
 body steel grade 5.8.  
 Thrust pin POM.  
 Spring grade D steel wire.

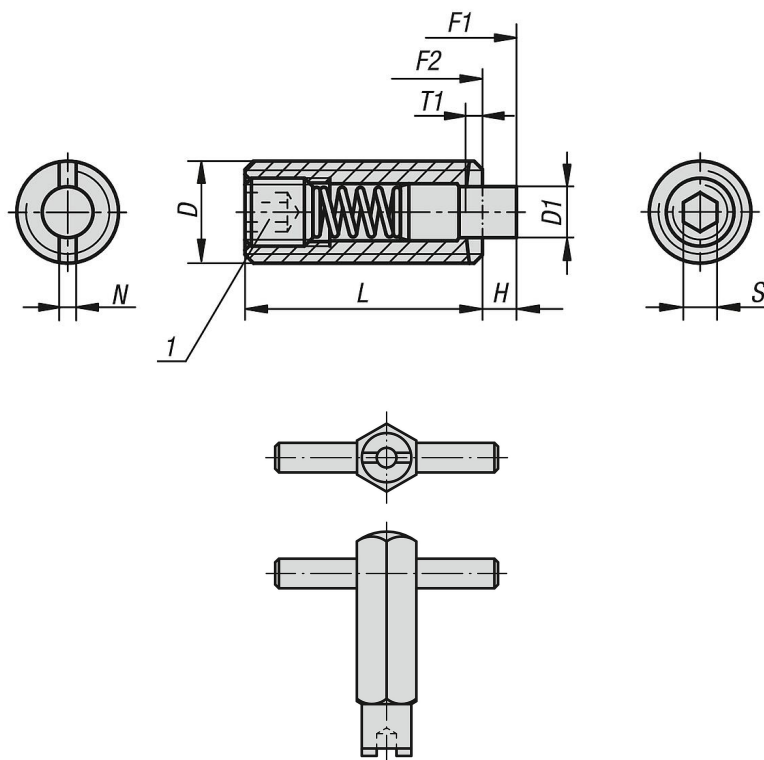
**Version:**  
 Black oxidized.

**Note:**  
 These spring plungers are chiefly used as ejectors and spring stops in machine construction.  
 The thrust pin is actuated in the axial direction.

**Drawing reference:**  
 1) grub screw glued in



## Drawings



## Spring plungers with hexagon socket and flattened thrust pin, standard spring force

Item No.	D	D1	H	L	T1	N	S	Spring force initial pressure F1 approx. N	Spring force final pressure F2 approx. N	Item No. Installation tool
K1372.05	M5	2,4	2,3	18	0,8	0,8	1,5	6	20	K0317.905

## Spring plungers with hexagon socket and flattened POM thrust pin, steel

Item No.	D	D1	H	L	T1	N	S	Spring force initial pressure F1 approx. N	Spring force final pressure F2 approx. N	Item No. Installation tool
<b>K1372.06</b>	M6	2,7	2,5	20	1	1	2	7	20	K0317.906
<b>K1372.08</b>	M8	3,5	3	22	1,4	1,2	2,5	9	35	K0317.908
<b>K1372.10</b>	M10	4	3	22	1,4	1,6	3	9	35	K0317.910
<b>K1372.12</b>	M12	6	4	28	2	2	4	12	55	K0317.912
<b>K1372.16</b>	M16	7,5	5	32	2,5	2,5	5	45	100	K0317.916