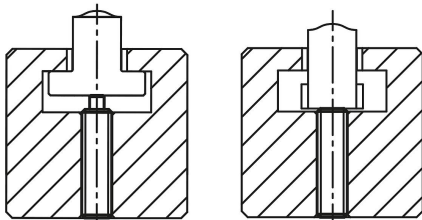


# Spring plungers with hexagon socket and flattened POM thrust pin, stainless steel

Item description/product images



## Description

### Material:

Body stainless steel 1.4305.

Thrust pin POM.

Spring stainless steel 1.4310.

### Version:

Bright.

### Note:

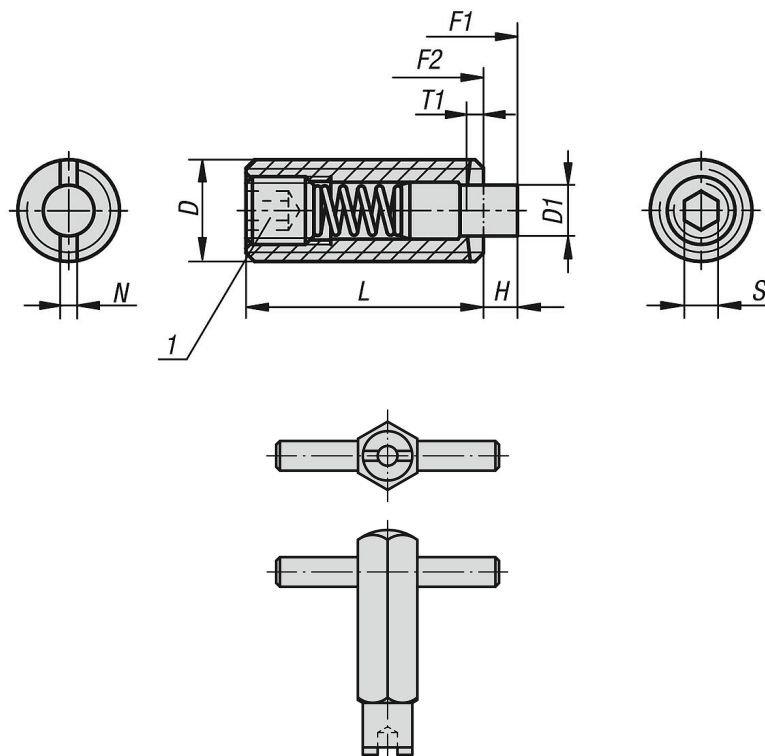
These spring plungers are chiefly used as ejectors and spring stops in machine construction.

The thrust pin is actuated in the axial direction.

### Drawing reference:

1) grub screw glued in

## Drawings



**Spring plungers with hexagon socket and flattened POM thrust pin, stainless steel**

**Spring plungers with hexagon socket and flattened thrust pin, standard spring force**

Item No.	D	D1	H	L	T1	N	S	Spring force initial pressure F1 approx. N	Spring force final pressure F2 approx. N	Item No. Installation tool
<b>K1381.05</b>	M5	2,4	2,3	18	0,8	0,8	1,5	5	17	K0317.905
<b>K1381.06</b>	M6	2,7	2,5	20	1	1	2	6	17	K0317.906
<b>K1381.08</b>	M8	3,5	3	22	1,4	1,2	2,5	7	29	K0317.908
<b>K1381.10</b>	M10	4	3	22	1,4	1,6	3	8	31	K0317.910
<b>K1381.12</b>	M12	6	4	28	2	2	4	10	47	K0317.912
<b>K1381.16</b>	M16	7,5	5	32	2,5	2,5	5	38	85	K0317.916