

Spring plungers with hex socket and flat POM thrust pin, steel, with thread lock

Item description/product images

KIPPlack

Description

Material:

Sleeve steel grade 5.8.

Thrust pin POM.

Spring grade D spring steel wire.

Thread lock nylon.

Version:

Black oxidized.

Note:

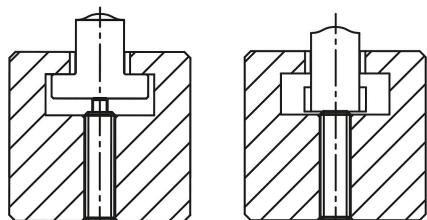
These spring plungers are chiefly used as ejectors and spring stops in machine construction.

The thrust pin is actuated in the axial direction.

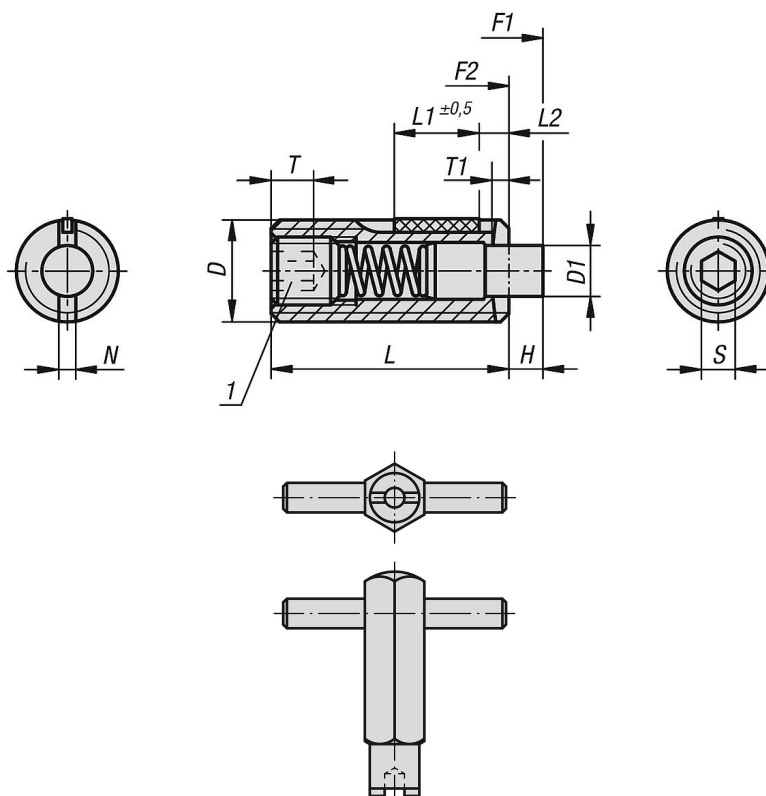
Drawing reference:

L2 = ca. two full threads

1) grub screw glued-in



Drawings



Spring plungers with hex socket and flat POM thrust pin, steel, with thread lock

Spring plungers with hex socket and flat thrust pin, standard spring force, with thread lock

Item No.	D	D1	H	L	L1	T1	N	S	Spring force initial pressure F1 approx. N	Spring force final pressure F2 approx. N	Tightening torque approx. Nm	Loosening torque approx. Nm	Item No. Installation tool
K1373.05	M5	2,4	2,3	18	7	0,8	0,8	1,5	6	20	0,12	0,08	K0317.905
K1373.06	M6	2,7	2,5	20	7	1	1	2	7	20	0,45	0,22	K0317.906
K1373.08	M8	3,5	3	22	8	1,4	1,2	2,5	9	35	1,05	0,37	K0317.908
K1373.10	M10	4	3	22	9	1,4	1,6	3	9	35	1,3	0,6	K0317.910
K1373.12	M12	6	4	28	10	2	2	4	12	55	2	1,3	K0317.912
K1373.16	M16	7,5	5	32	14	2,5	2,5	5	45	100	3,9	3	K0317.916