

Hand wheels, steel, stamped

Item description/product images



Description

Material:

Steel.

Version:

Powder-coated black RAL 9005, red RAL 3000 or trivalent blue passivated.

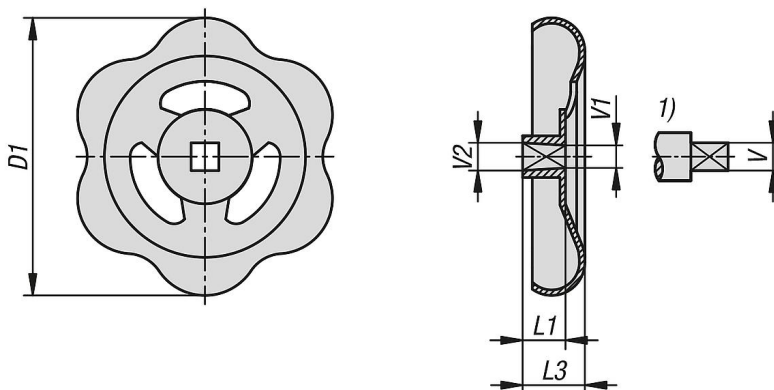
Note:

Especially suitable for stop valves. The handwheels are made from a single piece. The handwheel is strengthened in the hub area using a special forming process. The tapered hub allows easy mounting and ensures secure seating on the square bar.

Drawing reference:

1) Square on shaft

Drawings



Hand wheels, steel, stamped

Order No.	Main color	Surface finish body	D1	L1	L3	V	V1	V2	Number of spokes
K1661.050060	jet black RAL 9005	-	50	8,5	12	6	5,9	6,15	3
K1661.050070	jet black RAL 9005	-	50	8,5	12	7	6,9	7,15	3
K1661.060060	jet black RAL 9005	-	60	8,5	12	6	5,9	6,15	3
K1661.060070	jet black RAL 9005	-	60	8,5	12	7	6,9	7,15	3
K1661.070070	jet black RAL 9005	-	69	10	15	7	6,9	7,15	3
K1661.070080	jet black RAL 9005	-	69	10	15	8	7,9	8,15	3
K1661.080080	jet black RAL 9005	-	78	11	16	8	7,9	8,15	3
K1661.080090	jet black RAL 9005	-	78	11	16	9	8,9	9,15	3
K1661.090090	jet black RAL 9005	-	89	11	16	9	8,9	9,15	3
K1661.100090	jet black RAL 9005	-	98	13	20	9	8,9	9,15	3
K1661.100100	jet black RAL 9005	-	98	13	20	10	9,9	10,15	3
K1661.110100	jet black RAL 9005	-	108	15	23	10	9,9	10,15	3
K1661.130120	jet black RAL 9005	-	130	15	23	12	11,9	12,15	3
K1661.050061	flame red RAL 3000	-	50	8,5	12	6	5,9	6,15	3
K1661.050071	flame red RAL 3000	-	50	8,5	12	7	6,9	7,15	3
K1661.060061	flame red RAL 3000	-	60	8,5	12	6	5,9	6,15	3
K1661.060071	flame red RAL 3000	-	60	8,5	12	7	6,9	7,15	3
K1661.070071	flame red RAL 3000	-	69	10	15	7	6,9	7,15	3
K1661.070081	flame red RAL 3000	-	69	10	15	8	7,9	8,15	3
K1661.080081	flame red RAL 3000	-	78	11	16	8	7,9	8,15	3

Hand wheels, steel, stamped

Order No.	Main color	Surface finish body	D1	L1	L3	V	V1	V2	Number of spokes
K1661.080091	flame red RAL 3000	-	78	11	16	9	8,9	9,15	3
K1661.090091	flame red RAL 3000	-	89	11	16	9	8,9	9,15	3
K1661.100091	flame red RAL 3000	-	98	13	20	9	8,9	9,15	3
K1661.100101	flame red RAL 3000	-	98	13	20	10	9,9	10,15	3
K1661.110101	flame red RAL 3000	-	108	15	23	10	9,9	10,15	3
K1661.130121	flame red RAL 3000	-	130	15	23	12	11,9	12,15	3
K1661.050062	-	electro zinc-plated	50	8,5	12	6	5,9	6,15	3
K1661.050072	-	electro zinc-plated	50	8,5	12	7	6,9	7,15	3
K1661.060062	-	electro zinc-plated	60	8,5	12	6	5,9	6,15	3
K1661.060072	-	electro zinc-plated	60	8,5	12	7	6,9	7,15	3
K1661.070072	-	electro zinc-plated	69	10	15	7	6,9	7,15	3
K1661.070082	-	electro zinc-plated	69	10	15	8	7,9	8,15	3
K1661.080082	-	electro zinc-plated	78	11	16	8	7,9	8,15	3
K1661.080092	-	electro zinc-plated	78	11	16	9	8,9	9,15	3
K1661.090092	-	electro zinc-plated	89	11	16	9	8,9	9,15	3
K1661.100092	-	electro zinc-plated	98	13	20	9	8,9	9,15	3
K1661.100102	-	electro zinc-plated	98	13	20	10	9,9	10,15	3
K1661.110102	-	electro zinc-plated	108	15	23	10	9,9	10,15	3
K1661.130122	-	electro zinc-plated	130	15	23	12	11,9	12,15	3