

Spring Plungers ball style, hexagon socket, long version, stainless steel

Item description/product images



Description

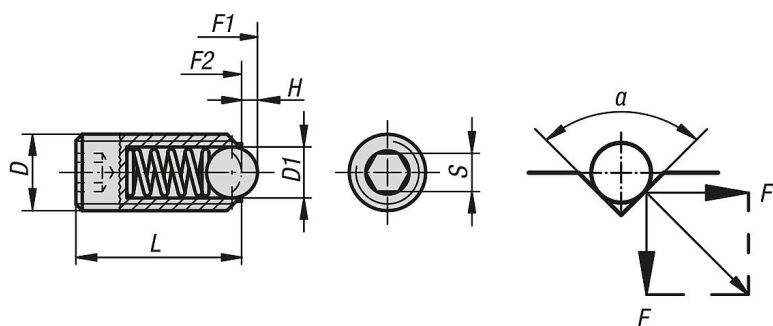
Material:

body 1.4305 (AISI 303 equivalent).
Ball 1.4034 (AISI 420 equivalent).
Spring 1.4310 (AISI 301 equivalent).

Version:

Bright. Ball hardened.

Drawings



$$a = 60^\circ, F' = 1,732 \times F$$

$$a = 90^\circ, F' = F$$

$$a = 120^\circ, F' = 0,577 \times F$$

| Item No. | D | D1 | H | L | S | Spring force initial pressure F1 approx. N | Spring force final pressure F2 approx. N |
|-----------|-----|-----|-----|----|-----|--|--|
| K0316.405 | M5 | 3 | 0,9 | 20 | 2,5 | 6 | 11 |
| K0316.406 | M6 | 3,5 | 1 | 25 | 3 | 9 | 13 |
| K0316.408 | M8 | 5 | 1,5 | 30 | 4 | 15 | 30 |
| K0316.410 | M10 | 6 | 2 | 35 | 5 | 20 | 35 |
| K0316.412 | M12 | 8 | 2,5 | 40 | 6 | 30 | 55 |
| K0316.416 | M16 | 10 | 3,5 | 45 | 8 | 65 | 125 |