

Self-aligning pads with O-ring, style K, flattened POM ball smooth

Item description/product images



Description

Material:

Body carbon steel.
Ball POM.

Version:

Body tempered.
POM ball white.

Note:

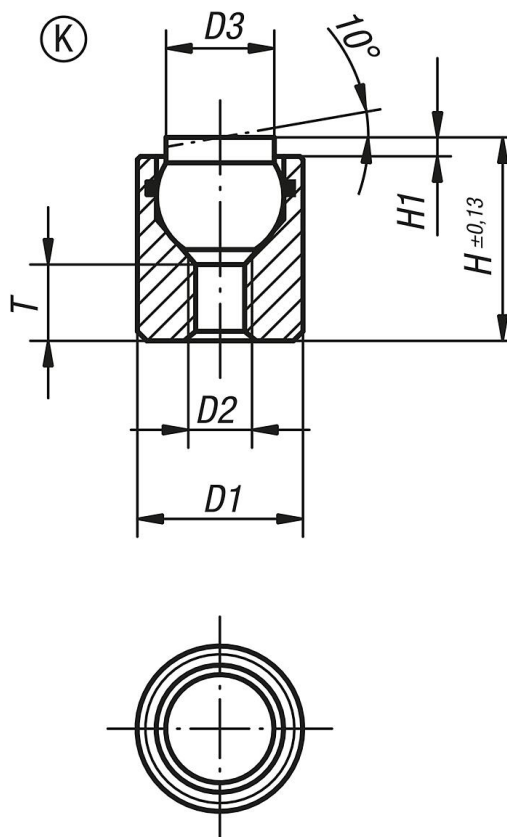
Self-aligning pads are used to support and clamp unmachined and machined workpieces. They can also be used as stops, supports and thrust pads in fixtures and toolmaking.

Ball secures against rotation.

Benefits:

The built-in O-ring holds the ball in place and keeps dirt and foreign particles out ensuring smooth and even movement.

Drawings



Self-aligning pads with O-ring, style K, flattened POM ball smooth

Order No.	style	D1	D2	D3	H	H1	T	Ball-Ø	Load rating max. kN (static load only)
K0284.704X012	K	10	M4	6	12	1,5	4,5	7	2
K0284.704X025	K	10	M4	6	25	1,5	12	7	2
K0284.705X016	K	13	M5	8,5	16	1,5	5	10	4
K0284.705X025	K	13	M5	8,5	25	1,5	12	10	4