

Self-aligning pads with O-ring and exchangeable inserts, style F, flattened ball with diamond grip

Item description/product images



Description

Material:

Body carbon steel
 Ball rust and acid resistant steel.
 Insert:
 style F tool steel.

Version:

Body tempered, black oxidized.
 Ball hardened, bright.
 Insert:
 style F hardened and black oxidized.

Note:

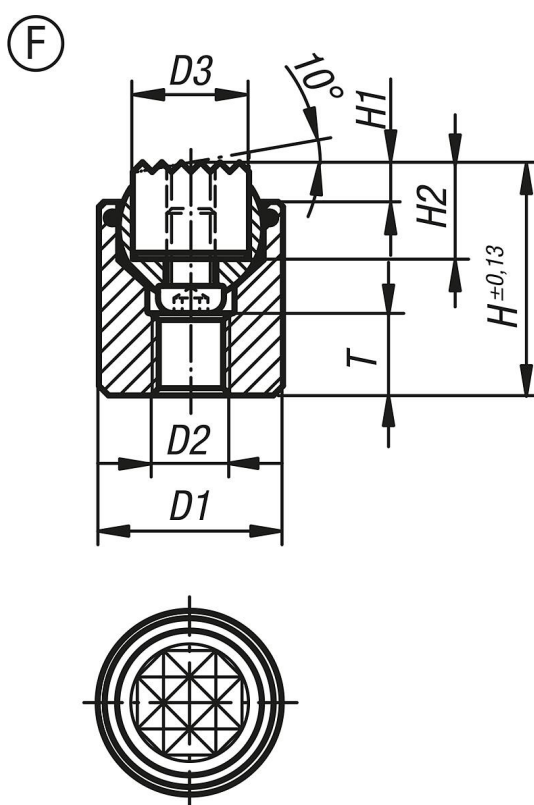
Self-aligning pads are used to support and clamp unmachined and machined workpieces.
 They can also be used as stops, supports and thrust pads in fixtures and toolmaking.
 The ball can be removed from the housing by applying light pressure to the socket head screw.

Ball secured against rotation.

Benefits:

Highly cost-effective as inserts can be exchanged.
 The built-in O-ring holds the ball in place and keeps dirt and foreign particles out, ensuring unistyle movement.

Drawings



Self-aligning pads with O-ring and exchangeable inserts, style F, flattened ball with diamond grip

Order No.	style	D1	D2	D3	H	H1	H2	T	Ball-Ø	Load rating max. kN (static load only)	Item No. gripper
K0285.317X022	F	17	M6	10	22	4	10	7	13	28	K0385.1010
K0285.319X024	F	19	M8	12	24	4	10	8	15	39	K0385.1210
K0285.324X028	F	24	M10	16	28	4	10	8	20	58	K0385.1610
K0285.330X030	F	30	M12	20	30	4	10	9	23	95	K0385.2010
K0285.336X036	F	36	M12	25	36	4	10	11	28	136	K0385.2510