

## Self-aligning pads with O-ring and exchangeable inserts, style 0, stainless steel insert with diamond impregnated face

Item description/product images



### Description

#### Material:

Body carbon steel.

Ball rust and acid resistant steel.

Insert:

style 0 stainless steel.

#### Version:

Body tempered, black oxidized.

Ball hardened, bright.

Insert:

style 0 diamond surface comparable to 100 grade abrasive grit.

#### Note:

Self-aligning pads are used to support and clamp unmachined and machined workpieces.

In addition, they serve as stops, supports and thrust pads in fixtures and toolmaking.

The ball can be removed from the housing by applying light pressure to the socket head screw.

Ball secured against rotation.

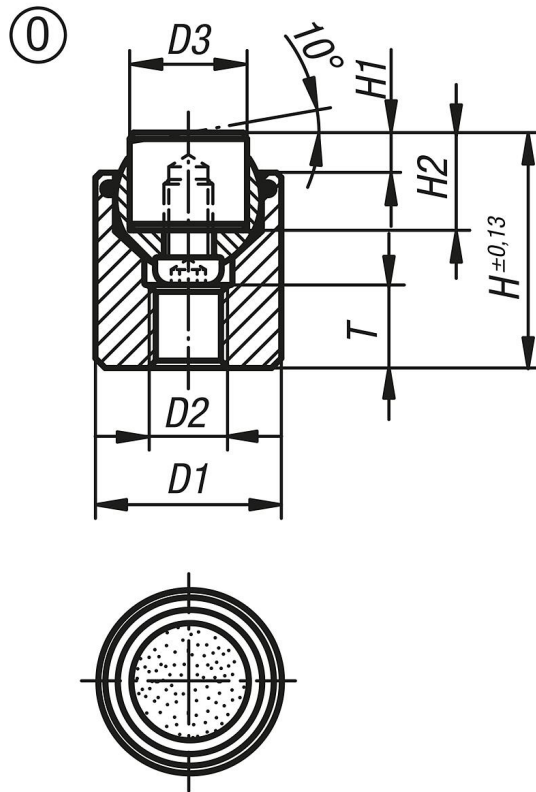
#### Benefits:

Highly cost-effective as inserts can be exchanged.

The built-in O-ring holds the ball in place and keeps dirt and foreign particles out, ensuring unistyle movement.

**Self-aligning pads with O-ring and exchangeable inserts, style 0,  
stainless steel insert with diamond impregnated face**

Drawings



Order No.	style	D1	D2	D3	H	H1	H2	T	Ball-Ø	Load rating max. kN (static load only)	Item No. stainless steel insert, diamond surface
<b>K0285.517X022</b>	0	17	M6	10	22	4	10	7	13	28	K0385.10105
<b>K0285.519X024</b>	0	19	M8	12	24	4	10	8	15	39	K0385.12105
<b>K0285.524X028</b>	0	24	M10	16	28	4	10	8	20	58	K0385.16105
<b>K0285.530X030</b>	0	30	M12	20	30	4	10	9	23	95	K0385.20105
<b>K0285.536X036</b>	0	36	M12	25	36	4	10	11	28	136	K0385.25105