

Adjustable toggle locators, with O-ring and exchangeable inserts, style F

Item description/product images



Description

Material:

Body carbon steel
Ball rust and acid resistant steel.
Insert:
style F tool steel.

Version:

Body tempered, black oxidized.
Ball hardened, bright.
Insert:
style F hardened and black oxidized.

Note:

Self-aligning pads are used to support and clamp unmachined and machined workpieces.
They can also be used as stops, supports and thrust pads in fixtures and toolmaking.
The ball can be removed from the housing by applying light pressure to the socket head screw.

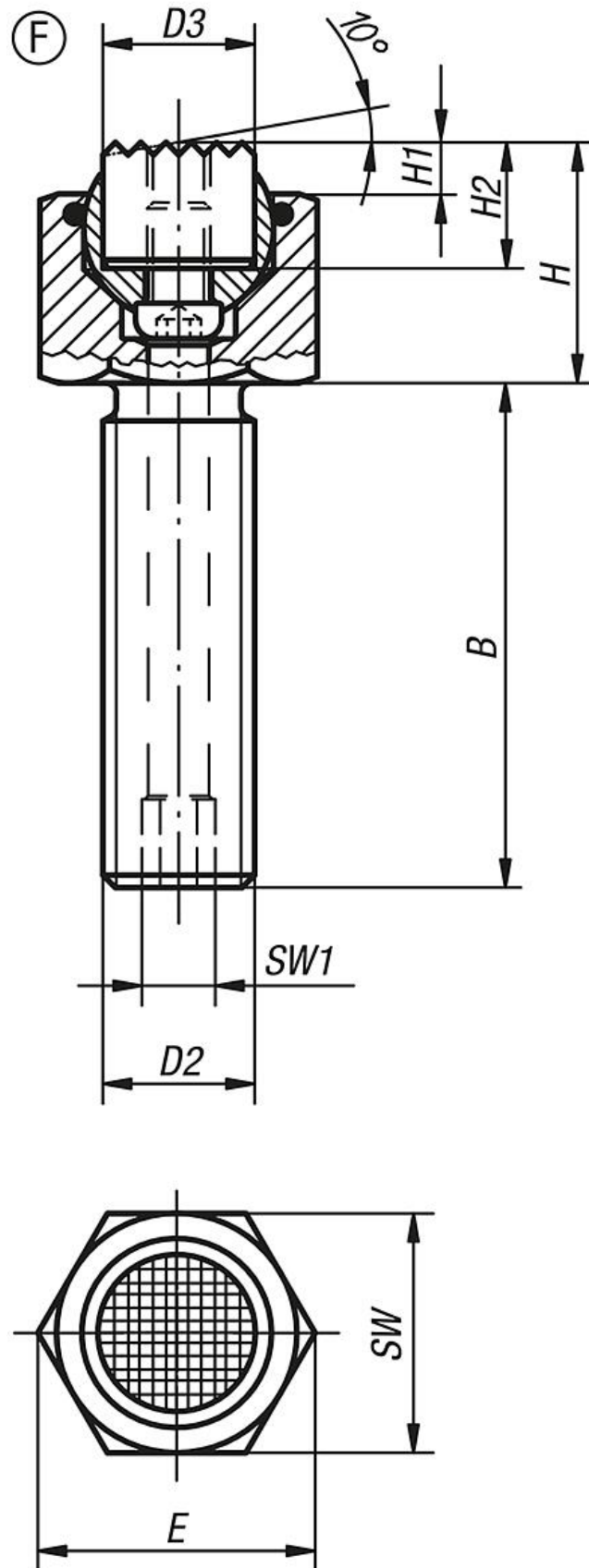
Ball secured against rotation.

Benefits:

Highly cost-effective as inserts can be exchanged.
The built-in O-ring holds the ball in place and keeps dirt and foreign particles out, ensuring unistyle movement.

Adjustable toggle locators, with O-ring and exchangeable inserts, style F

Drawings



Adjustable toggle locators, with O-ring and exchangeable inserts, style F

Order No.	style	B	D2	D3	H	H1	H2	E	SW	SW1	Ball-Ø	Load rating max. kN (static load only)	Item No. gripper
K0289.310X015	F	15	M10	10	17	4	10	19,6	17	3	13	19	K0385.1010
K0289.310X030	F	30	M10	10	17	4	10	19,6	17	3	13	19	K0385.1010
K0289.310X050	F	50	M10	10	17	4	10	19,6	17	3	13	19	K0385.1010
K0289.312X020	F	20	M12	12	19	4	10	21,9	19	5	15	30	K0385.1210
K0289.312X040	F	40	M12	12	19	4	10	21,9	19	5	15	30	K0385.1210
K0289.312X060	F	60	M12	12	19	4	10	21,9	19	5	15	30	K0385.1210
K0289.316X025	F	25	M16	16	23	4	10	27,7	24	6	20	50	K0385.1610
K0289.316X050	F	50	M16	16	23	4	10	27,7	24	6	20	50	K0385.1610
K0289.316X080	F	80	M16	16	23	4	10	27,7	24	6	20	50	K0385.1610
K0289.320X030	F	30	M20	20	24	4	10	34,6	30	8	23	85	K0385.2010
K0289.320X060	F	60	M20	20	24	4	10	34,6	30	8	23	85	K0385.2010
K0289.320X100	F	100	M20	20	24	4	10	34,6	30	8	23	85	K0385.2010
K0289.324X040	F	40	M24	25	30	4	10	41,6	36	10	28	121	K0385.2510
K0289.324X100	F	100	M24	25	30	4	10	41,6	36	10	28	121	K0385.2510