

Round inserts, style 0

Item description/product images



Description

Material, version:

Stainless steel with diamond impregnated surface comparable with 100-grade abrasive grit.

Note:

Grippers and inserts are ideal for use in clamping arms, gripping systems, clamping fixtures, clamping jaws and self-aligning pads. The use of grippers allows the transfer of very high torque values and above average grip, even with hard materials and surface irregularities.

style 0: The abrasive diamond surface is bonded firmly to the base. It is ideally suited to supporting smooth or slippery applications with a minimum of clamping pressure. This allows the diamond particles to get a firm grip on a very small area with minimum damage to the surface.

The diamond surface offers excellent wear resistance.

Grippers and inserts can be fitted in the following self-aligning pads:

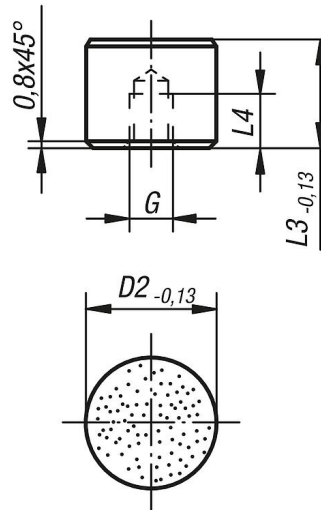
Order No. K0285.117X022 up to K0285.936X036

Order No. K0289.110X015 up to K0289.924X100

Order No. K0291.120X030 up to K0291.924X080

Drawings

Style 0
stainless steel insert
diamond impregnated



Order No.	Style	D2	L3	L4	G
K0385.10105	0	10	10	5	M5
K0385.10125	0	10	12	6,4	M5
K0385.12105	0	12	10	5	M5
K0385.12125	0	12	12	6,4	M5
K0385.16105	0	16	10	5	M6
K0385.16125	0	16	12	6,4	M6
K0385.20105	0	20	10	5	M6
K0385.20125	0	20	12	6,4	M6
K0385.25105	0	25	10	5	M6
K0385.25125	0	25	12	6,4	M6

