

Round grippers, style M

Item description/product images



Description

Material, version:

style M tool steel with carbide serrations, black oxidized.

Note:

Grippers and inserts are ideal for use in clamping arms, gripping systems, clamping fixtures, clamping jaws and self-aligning pads. Grippers transfer very high torque values and above average holding forces, even on hard materials and surface irregularities.

Grippers and inserts can be fitted in the following self-aligning pads:

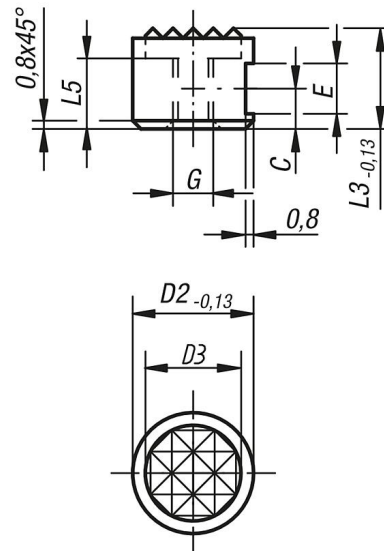
Order No. K0285.117X022 up to K0285.936X036

Order No. K0289.110X015 up to K0289.924X100

Order No. K0291.120X030 up to K0291.924X080

Drawings

Style M
carbide steel
diamond grip insert



Order No.	style	D2	D3	L3	L5	C	E	G
K0385.10107	M	10	7,9	10	6	4,5	4,75	M5
K0385.12107	M	12	9,5	10	6	4,5	4,75	M5
K0385.12127	M	12	9,5	12	7	6	4,75	M5
K0385.16107	M	16	12,7	10	6	4,5	4,75	M6
K0385.20107	M	20	15,9	10	6	4,5	4,75	M6
K0385.25107	M	25	19	10	6	4,5	4,75	M6