

Gripper studs, style B

Item description/product images



Description

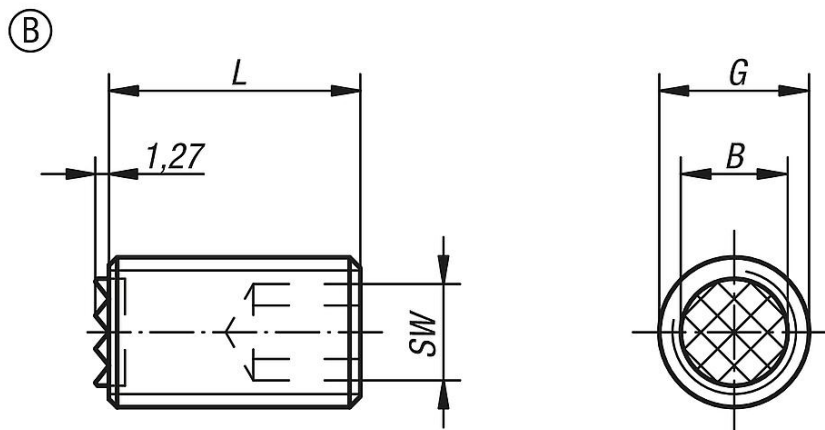
Material:

Hardened tool steel or carbide.

Note:

The full thread on the grippers allows exact adjustment to the clamping application. The carbide tips are soldered in.

Drawings



Order No.	Style	L	B	G	SW
K0388.2510	B	25	6,4	M10	5
K0388.5010	B	50	6,4	M10	5
K0388.2512	B	25	7,9	M12	6
K0388.5012	B	50	7,9	M12	6
K0388.2516	B	25	11,2	M16	8
K0388.5016	B	50	11,2	M16	8
K0388.2520	B	25	12,7	M20	10
K0388.5020	B	50	12,7	M20	10

