

## Fixture feet with internal thread, style A

### Item description/product images



### Description

**Material:**

Body high carbon steel.

**Version:**

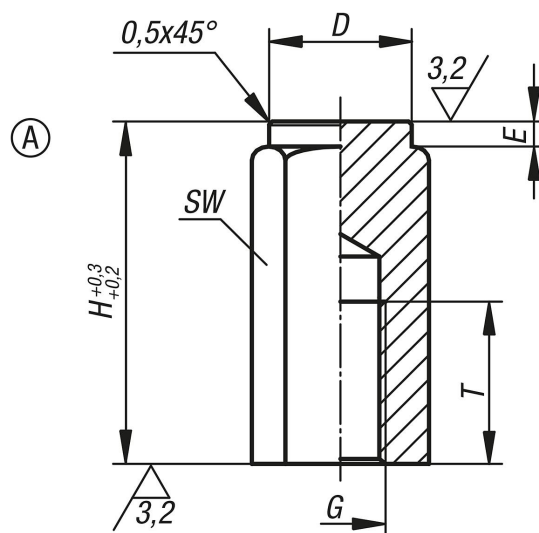
Body tempered and black oxidized.

Contact faces case-hardened.

**Note:**

Fixture feet with internal thread are used as supports for fixtures or rough or machined workpieces. They can also be used as stops or thrust pads in fixtures and toolmaking.

### Drawings



Order No.	style	D	E	G	H	T	SW
K0301.106X20	A	9,5	2	M6	20	12	10
K0301.106X40	A	9,5	2	M6	40	12	10
K0301.110X32	A	16,5	3	M10	32	18	17
K0301.110X63	A	16,5	3	M10	63	18	17
K0301.112X32	A	18,5	3	M12	32	18	19
K0301.112X63	A	18,5	3	M12	63	18	19
K0301.116X50	A	23	4	M16	50	24	24
K0301.116X100	A	23	4	M16	100	24	24

