

Fixture feet with internal thread, style B

Item description/product images



Description

Material:

Body high carbon steel.

Version:

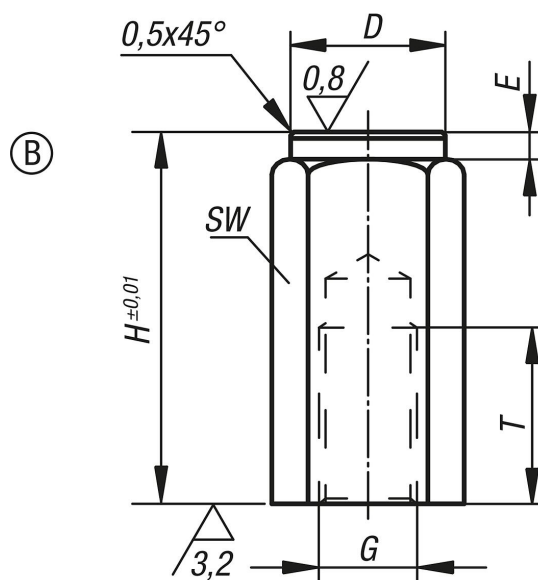
Body tempered and black oxidized.

Contact faces case-hardened.

Note:

Fixture feet with internal thread are used as supports for fixtures or rough or machined workpieces. They can also be used as stops or thrust pads in fixtures and toolmaking.

Drawings



Order No.	style	D	E	G	H	T	SW
K0301.206X20	B	9,5	2	M6	20	12	10
K0301.206X40	B	9,5	2	M6	40	12	10
K0301.210X32	B	16,5	3	M10	32	18	17
K0301.210X63	B	16,5	3	M10	63	18	17
K0301.212X32	B	18,5	3	M12	32	18	19
K0301.212X63	B	18,5	3	M12	63	18	19
K0301.216X50	B	23	4	M16	50	24	24

Fixture feet with internal thread, style B

Order No.	style	D	E	G	H	T	SW
K0301.216X100	B	23	4	M16	100	24	24