

## Fixture feet with internal thread, style C

### Item description/product images



### Description

**Material:**

Body high carbon steel.

**Version:**

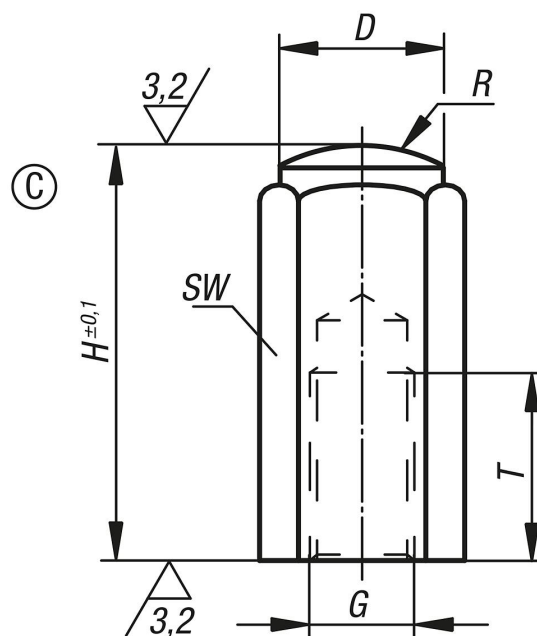
Body tempered and black oxidized.

Contact faces case-hardened.

**Note:**

Fixture feet with internal thread are used as supports for fixtures or rough or machined workpieces. They can also be used as stops or thrust pads in fixtures and toolmaking.

### Drawings



Order No.	style	D	G	H	R	T	SW
K0301.306X20	C	9,5	M6	20	15	12	10
K0301.306X40	C	9,5	M6	40	15	12	10
K0301.310X32	C	16,5	M10	32	30	18	17
K0301.310X63	C	16,5	M10	63	30	18	17
K0301.312X32	C	18,5	M12	32	35	18	19

**Fixture feet with internal thread, style C**

Order No.	style	D	G	H	R	T	SW
<b>K0301.312X63</b>	C	18,5	M12	63	35	18	19
<b>K0301.316X50</b>	C	23	M16	50	40	24	24
<b>K0301.316X100</b>	C	23	M16	100	40	24	24