

## Magnets shallow pot, NdFeB, style B

### Item description/product images



### Description

#### Material:

Housing, steel.  
Magnetic core NdFeB.

#### Version:

Housing, electro zinc-plated.

#### Note:

Shielded system. With the permanent magnetic material NdFeB the attractive force increases by ca. 10-20 % compared with SmCo.

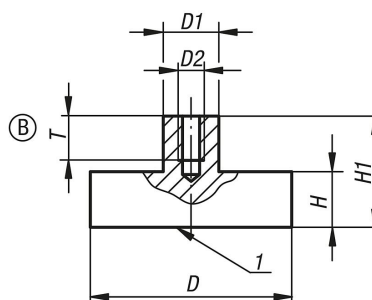
#### Temperature range:

max. 80°C.

#### Drawing reference:

1) magnetic face

### Drawings



Order No.	style	D	D1	D2	H	H1	T	Magnetic force N
K0553.11	B	6 ±0,15	6	M3	4,5	11,5	6	5
K0553.12	B	8 ±0,15	6	M3	4,5	11,5	7	13
K0553.13	B	10 ±0,15	6	M3	4,5	11,5	7	25
K0553.14	B	13 ±0,15	6	M3	4,5	11,5	6	60
K0553.15	B	16 ±0,15	6	M4	4,5	11,5	7	95
K0553.16	B	20 ±0,15	8	M4	6	13	9	140
K0553.17	B	25 ±0,15	8	M4	7	14	9	200
K0553.18	B	32 ±0,20	10	M5	7	15,5	10	350
K0553.19	B	40 ±0,2	10	M6	8	18	13	670
K0553.20	B	47 ±0,2	12	M6	9,2	20,5	13	750
K0553.21	B	50 ±0,2	15	M8	10	22	13	1000