

Magnets shallow pot, NdFeB, style C

Item description/product images



Description

Material:

Housing, steel.
Magnetic core NdFeB.

Version:

Housing, electro zinc-plated.

Note:

Shielded system. With the permanent magnetic material NdFeB the attractive force increases by ca. 10-20 % compared with SmCo.

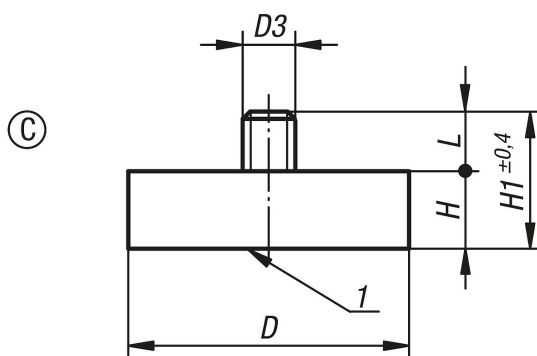
Temperature range:

max. 80°C.

Drawing reference:

1) magnetic face

Drawings



Order No.	style	D	D3	H	H1	L	Magnetic force N
K0553.23	C	10 ±0,15	M3	4,5	11,5	7	25
K0553.24	C	13 ±0,15	M5	4,5	12,5	8	60
K0553.25	C	16 ±0,15	M6	4,5	12,5	8	95
K0553.26	C	20 ±0,15	M6	6	16	10	140
K0553.27	C	25 ±0,15	M6	7	17	10	200
K0553.28	C	32 ±0,20	M6	7	17	10	350
K0553.29	C	40 ±0,2	M8	8	20	12	670
K0553.30	C	47 ±0,2	M8	9,2	22,2	13	790