

Spring Plungers with thread lock, pin style, hexagon socket, stainless steel body and pin, heavy end pressure, metric

Item description/product images



Description

Material:

Sleeve 1.4305 (AISI 303 equivalent).
Thrust pin 1.4034 (AISI 420 equivalent).
Spring 1.4310 (AISI 301 equivalent).

Thread lock nylon.

Version:

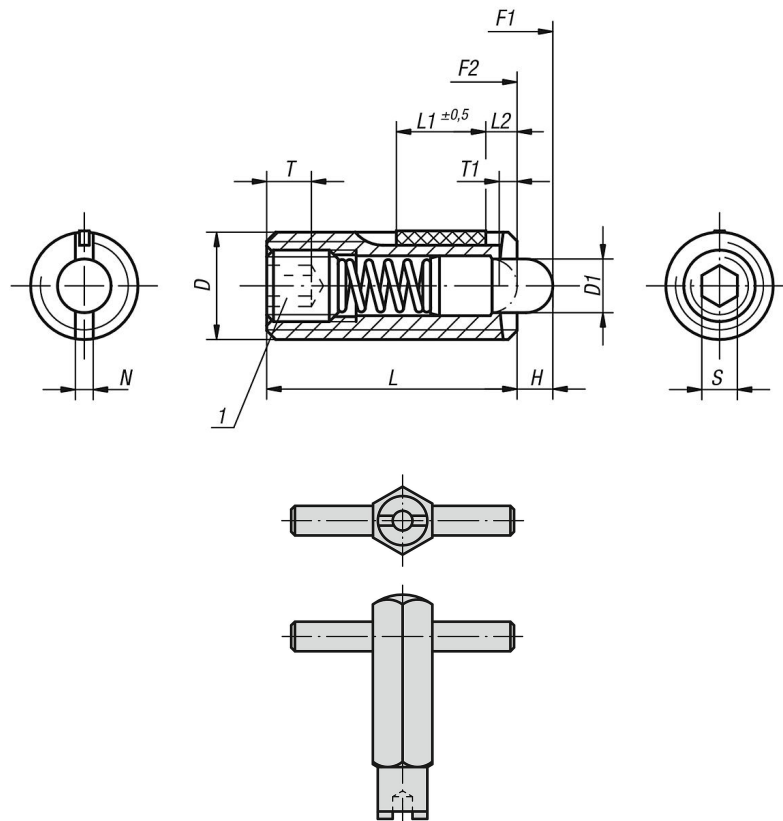
Bright.
Thrust pin hardened.

Drawing reference:

L2 = ca. two full threads

1) grub screw glued-in

Drawings



Spring plungers with hex socket and thrust pin, heavy spring force, with thread lock

Item No.	D	D1	H	L	L1	T1	N	S	Spring force initial pressure F1 approx. N	Spring force final pressure F2 approx. N	Tightening torque approx. Nm	Loosening torque approx. Nm	Item No. Installation tool
K0329.205	M5	2,4	2,3	18	7	0,8	0,8	1,5	9	26	0,12	0,08	K0317.905
K0329.206	M6	2,7	2,5	20	7	1	1	2	11	35	0,45	0,22	K0317.906

Spring Plungers with thread lock, pin style, hexagon socket, stainless steel body and pin, heavy end pressure, metric

Item No.	D	D1	H	L	L1	T1	N	S	Spring force initial pressure F1 approx. N	Spring force final pressure F2 approx. N	Tightening torque approx. Nm	Loosening torque approx. Nm	Item No. Installation tool
K0329.208	M8	3,5	3	22	8	1,4	1,2	2,5	15	48	1,05	0,37	K0317.908
K0329.210	M10	4	3	22	9	1,4	1,6	3	15	58	1,3	0,6	K0317.910
K0329.212	M12	6	4	28	10	2	2	4	19	74	2	1,3	K0317.912