

Indexing plungers with thread lock, Style AP

Item description/product images

METRIC
Parts



Description

Material:

Steel version:

Indexing pin hardened:

Threaded body and indexing pin free-cutting steel

Stainless steel version:

Indexing pin hardened:

Threaded body 1.4305 (AISI 303 equivalent)

Indexing pin 1.4034 (AISI 420 equivalent).

Mushroom knob black gray thermoplastic.

Thread lock blue polyamide.

Version:

Steel version:

indexing pin hardened, ground and black oxidized.

Stainless steel version:

indexing pin hardened, ground and bright.

Note:

Indexing plungers are used to prevent any change in locking position due to lateral forces. A new locking position can only be set after the pin has been manually disengaged. style CP is recommended for applications where the plunger remains disengaged over a long period and the pin should be prevented from springing back. The thread lock enables the plunger to be screwed in to the exact depth required, no spacer ring is required.

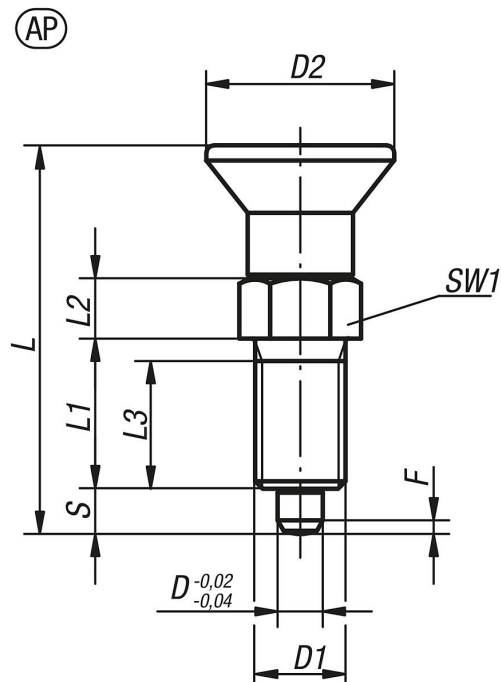
The thread lock is a gripping polyamide coating that is applied punctiform (spot).

On request:

Special versions.

Indexing plungers with thread lock, Style AP

Drawings



Order No.	Main material	style	D	D1	D2	L	L1	L2	L3	Travel S	SW1	Fx30°	Spring force initial pressure F1 approx. N	Spring force final pressure F2 approx. N
K1096.091004	stainless steel	AP	4	M8x1	18	38,5	15	6	13	4	10	1	6	12
K1096.091105	stainless steel	AP	5	M10x1	21	43,5	17	7	15	5	13	1,3	5	12
K1096.091206	stainless steel	AP	6	M12x1,5	25	51,7	20	8	17	6	14	1,8	6	14
K1096.091308	stainless steel	AP	8	M16x1,5	33	68	26	10	23	8	19	2,3	15	35
K1096.091410	stainless steel	AP	10	M20x1,5	33	74	28	12	25	10	22	2,8	15	34
K1096.091412	stainless steel	AP	12	M20x1,5	33	78	28	14	25	12	22	2,8	15	39
K1096.091516	stainless steel	AP	16	M24x2	40	96	32	18	28	16	27	3,2	20	46
K1096.091903	stainless steel	AP	3	M6x0,75	14	31,5	12	5	10	3,5	8	0,8	4,5	10
K1096.91004	steel	AP	4	M8x1	18	38,5	15	6	13	4	10	1	6	12
K1096.91105	steel	AP	5	M10x1	21	43,5	17	7	15	5	13	1,3	5	12
K1096.91206	steel	AP	6	M12x1,5	25	51,7	20	8	17	6	14	1,8	6	14
K1096.91308	steel	AP	8	M16x1,5	33	68	26	10	23	8	19	2,3	15	35
K1096.91410	steel	AP	10	M20x1,5	33	74	28	12	25	10	22	2,8	15	34
K1096.91412	steel	AP	12	M20x1,5	33	78	28	14	25	12	22	2,8	15	39
K1096.91516	steel	AP	16	M24x2	40	96	32	18	28	16	27	3,2	20	46
K1096.91903	steel	AP	3	M6x0,75	14	31,5	12	5	10	3,5	8	0,8	4,5	10