

## Indexing Plungers with extended locking pin, Style D, metric

Item description/product images

METRIC  
Parts



### Description

#### Material:

Steel version

Indexing pin hardened:  
grade 5.8.

Stainless steel version

Indexing pin hardened:

Threaded body 1.4305 (AISI 303 equivalent).  
Indexing pin 1.4034 (AISI 420 equivalent).

Indexing pin not hardened:

Threaded body 1.4305 (AISI 303 equivalent).  
Indexing pin 1.4305 (AISI 303 equivalent).

Mushroom knob black-gray thermoplastic.

#### Version:

Steel version:

Indexing pin hardened, ground, black oxidized.

Stainless steel version:

Indexing pin hardened, ground and bright.

Indexing pin not hardened, ground and bright.

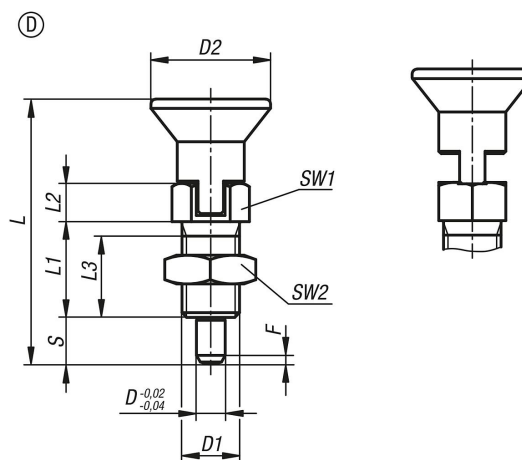
#### Note:

Indexing plungers are used to prevent any change in locking position due to lateral forces. A new locking position can only be set after the pin has been manually disengaged.

#### On request:

Special versions.

### Drawings



## Indexing Plungers with extended locking pin, Style D, metric

Order No.	style	Main material	locating pin	D	D1	D2	L	L1	L2	L3	Travel S	SW1	SW2	Fx30°	Spring force initial pressure F1 approx. N	Spring force final pressure F2 approx. N
<b>K0630.24105</b>	D	steel	hardened	5	M10x1	21	49,5	17	10	15	8	13	17	1,3	5	16
<b>K0630.24206</b>	D	steel	hardened	6	M12x1,5	25	57,7	20	11	17	9	14	19	1,8	6	18
<b>K0630.24308</b>	D	steel	hardened	8	M16x1,5	33	76	26	14	23	12	19	24	2,3	15	45
<b>K0630.204105</b>	D	stainless steel	hardened	5	M10x1	21	49,5	17	10	15	8	13	17	1,3	5	16
<b>K0630.204206</b>	D	stainless steel	hardened	6	M12x1,5	25	57,7	20	11	17	9	14	19	1,8	6	18
<b>K0630.204308</b>	D	stainless steel	hardened	8	M16x1,5	33	76	26	14	23	12	19	24	2,3	15	45
<b>K0630.214105</b>	D	stainless steel	not hardened	5	M10x1	21	49,5	17	10	15	8	13	17	1,3	5	16
<b>K0630.214206</b>	D	stainless steel	not hardened	6	M12x1,5	25	57,7	20	11	17	9	14	19	1,8	6	18
<b>K0630.214308</b>	D	stainless steel	not hardened	8	M16x1,5	33	76	26	14	23	12	19	24	2,3	15	45