

Ball lock pins stainless steel

Item description/product images



Description

Material:

Housing and push button stainless steel.
Ball, spring and snap ring stainless steel.
O-ring FKM.

Version:

Housing bright.
Push button bright.
Ball tempered.

Note:

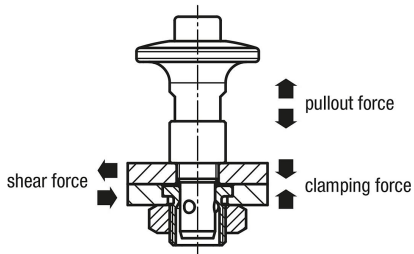
Installation dimensions for style A for plate thickness 6 mm.
Installation dimensions for style B for plate thickness 6 to 16 mm.

Attention:

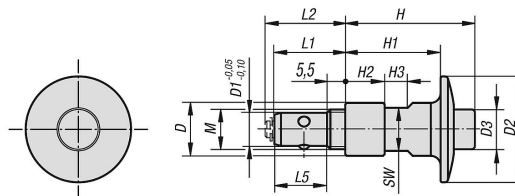
The specified pullout forces only apply in conjunction with locating bushing K1065.

Accessory:

Locating bushing K1065.

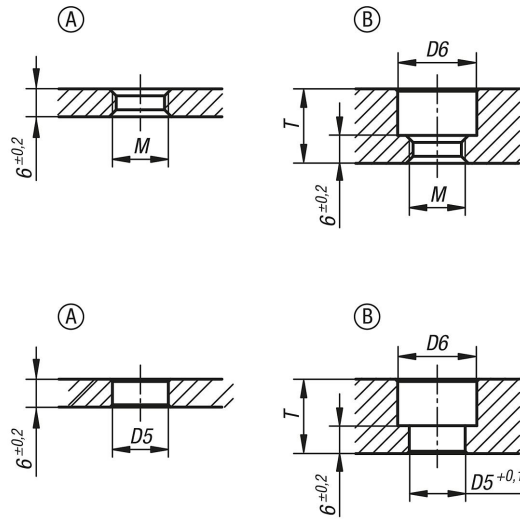


Drawings



Ball lock pins stainless steel

Drawings



Ball lock pin stainless steel

Order No.	D	D1	D2	D3	M	L1	L2	L5	H	H1	H2	H3	SW	D5	D6	T	Clamping force N	Shearing force kN	Pullout force kN	Temperature resistance
K1063.6211	12	6	23	8	M8	19	21	13,5	25,8	18	6	5,5	10	8	13	10	30	3	0,5	≤180 °C
K1063.10241	16	10	32	12	M12x1,5	21,5	23,5	16	39,4	29	12	7	13	12	17	16	50	9	1,5	≤180 °C