

# Ball lock pins without head

## Item description/product images



### Description

**Material:**

Housing and push button steel or stainless steel.  
Ball, spring and snap ring stainless steel.  
O-ring FKM.

**Version:**

Housing nickel-plated or bright.  
Knob tempered and nickel-plated.  
Ball tempered.

**Note:**

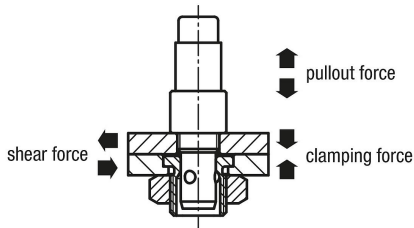
Installation dimensions for style A for plate thickness 6 mm.  
Installation dimensions for style B for plate thickness 6 to 16 mm.

**Attention:**

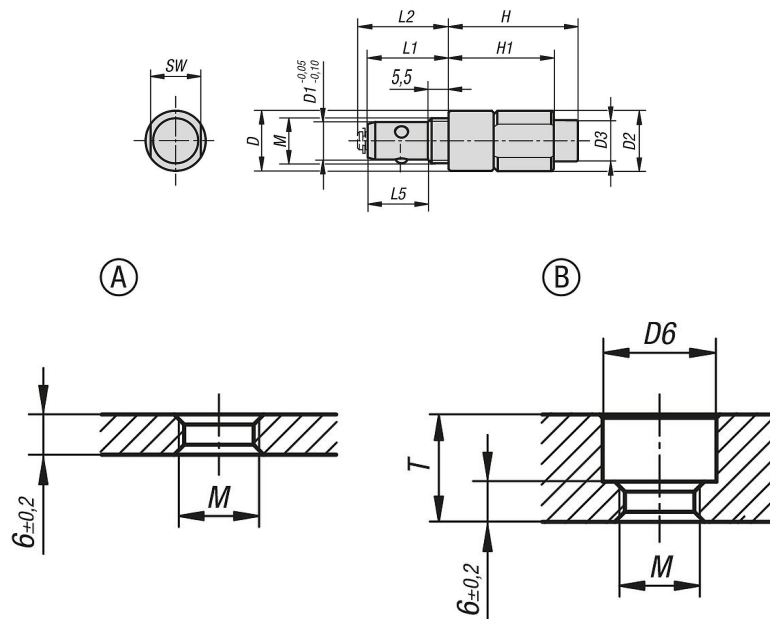
The specified pullout forces only apply in conjunction with locating bushing K1065.

**Accessory:**

Locating bushing K1065.



## Drawings



## Ball lock pin without head

## Ball lock pins without head

Order No.	Main material	D	D1	D2	D3	M	L1	L2	L5	H	H1	SW	D6	T max.	Clamping force N	Shearing force kN	Pullout force F kN	Temperature resistance
<b>K1063.6212</b>	steel	12	6	12	8	M8x1,25	19	21	13,5	22	17,5	10	13	10	30	3	0,5	≤180 °C
<b>K1063.10242</b>	steel	16	10	16	11	M12x1,5	21,5	23,5	16	34,4	28	13	17	16	50	9	1,5	≤180 °C
<b>K1063.16212</b>	stainless steel	12	6	12	8	M8x1,25	19	21	13,5	22	17,5	10	13	10	30	3	0,5	≤180 °C
<b>K1063.110242</b>	stainless steel	16	10	16	11	M12x1,5	21,5	23,5	16	34,4	28	13	17	16	50	9	1,5	≤180 °C