

Pin for magnetic bushing

Item description/product images



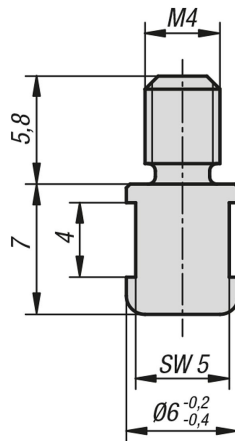
Description

Material:
Steel.

Version:
Bright.

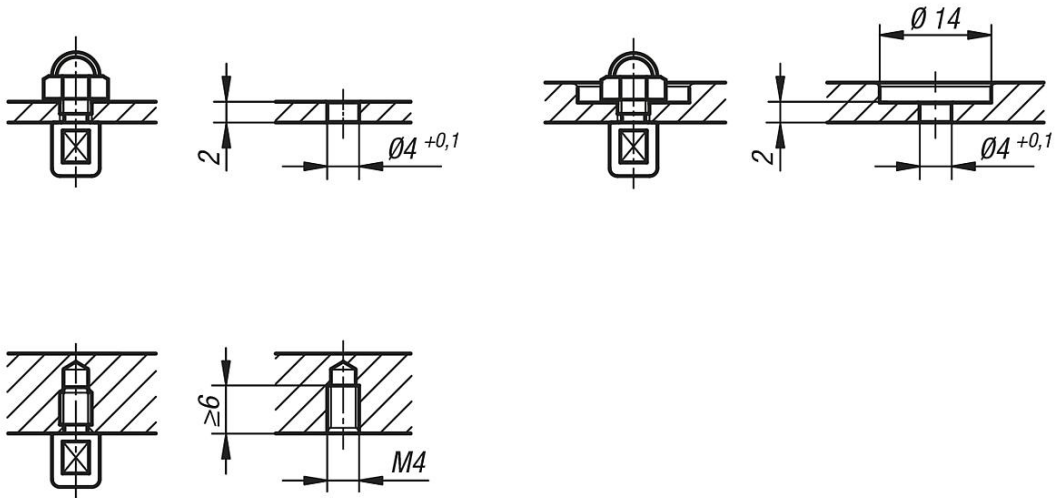
Note:
Accessory to K1068.
The pin is attracted to the magnetic bushing K1068.
Mounting option with nut (not included) or by screwing directly into the workpiece.

Drawings



Pin for magnetic bushing

Drawings



Pin for magnetic bushing

Item No.	Shear force kN
K1069.6	0,9