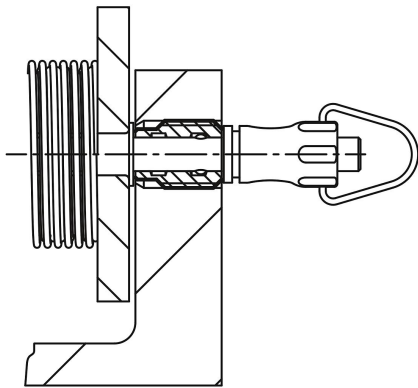
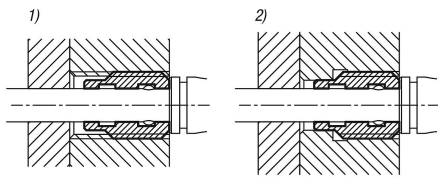


## Locating bushings stainless steel for ball lock pins

### Item description/product images



### Description

**Material:**

Stainless steel 1.4305.

**Version:**

Bright.

**Note:**

The locating bushings are ideal for easy and quick positioning of ball lock pins with head-end lock.

**Benefits:**

The adapter bushing can be used from both sides.

Additional centering of the adapter bushing is provided by the centering collar (D3).

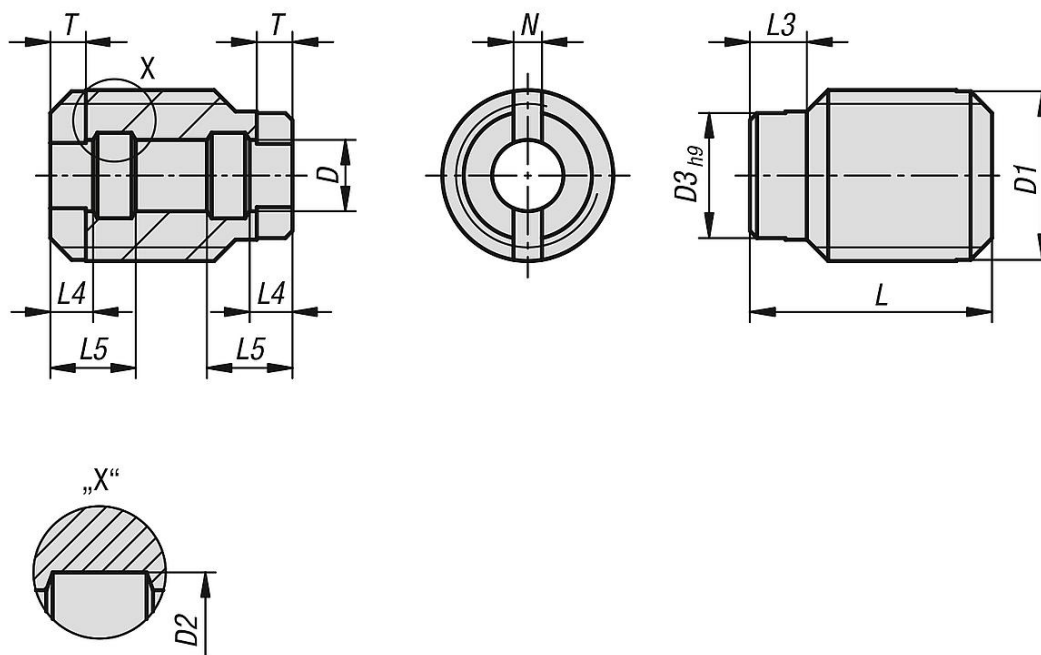
**Drawing reference:**

1) without centering

2) with centering

## Locating bushings stainless steel for ball lock pins

### Drawings



### Locating bushings stainless steel for ball lock pins

Order No.	D	D1	D2	D3	L	L3	L4	L5	N	T
K1416.10512	5	M12	6	9	17	4	3	6	2	2,5
K1416.10616	6	M16	7,5	12	18	5	3	7	2	2,5
K1416.10816	8	M16	10	12	20,5	5	3,5	8,5	2	2,5
K1416.11024	10	M24x1,5	13	18	21,5	5	3,5	9	2,5	2,5
K1416.11230	12	M30x1,5	15	24	22,5	5	3,5	9,5	2,5	2,5
K1416.11630	16	M30x1,5	20	24	27	5	4,1	11,1	2,5	3