

Snap-in pins for clevis joints DIN 71752

Item description/product images



Description

Material:

Pin, steel.

Spring, tempered leaf spring steel.

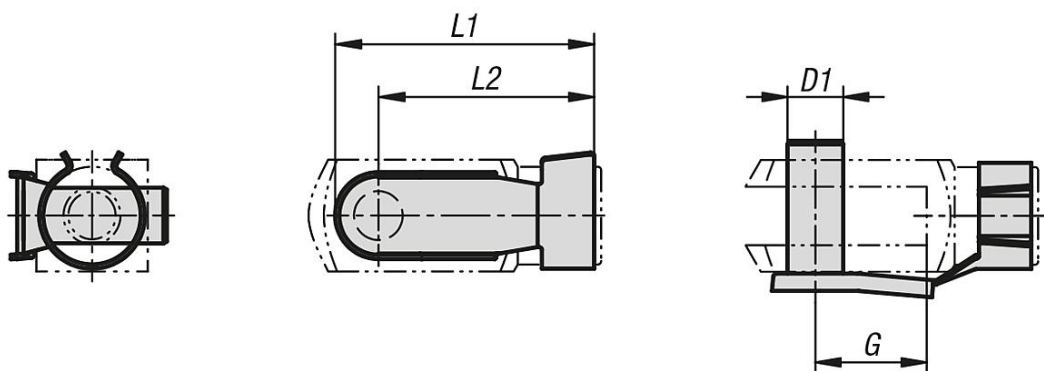
Version:

Electro zinc-plated.

Note:

For DIN 71752 clevis.

Drawings



Snap-in pins for clevis joints DIN 71752

Order No.	D1	G	L1	L2
K1139.0408	4	8	18,5	15
K1139.0510	5	10	23	19
K1139.0612	6	12	28	23
K1139.0816	8	16	37	30
K1139.0832	8	32	52	46
K1139.1020	10	20	46	38
K1139.1040	10	40	66	58
K1139.1224	12	24	53	45
K1139.1248	12	48	78	69
K1139.1428	14	28	62	52
K1139.1632	16	32	73	62