

Ball lock bushings with twist lock

Item description/product images



Description

Material:

Housing and locking elements steel.
Balls and springs stainless steel.

Version:

Housing and locking element nickel-plated.
Balls tempered.

Note:

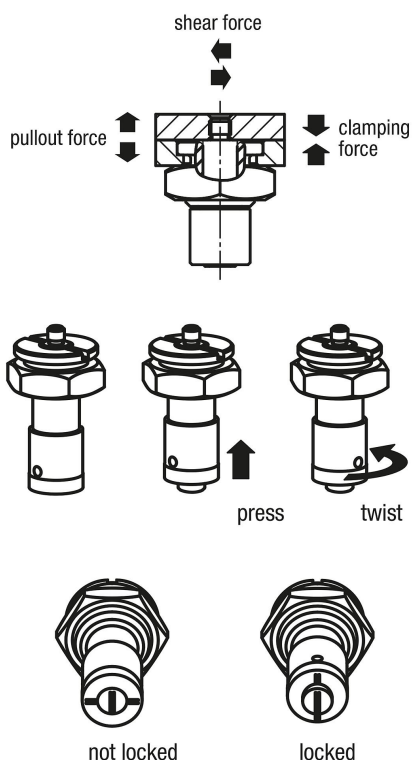
The 3 balls inside the bushing hold the locking pin with the specified retaining force.
The element is secured or released by twisting the bottom part of the bushing.
Installation dimensions for style A: min. plate thickness 6 mm.
Installation dimensions for style B: max. plate thickness 10 mm.
Installation dimensions for style C: plate thickness > 10 mm.
Installation dimensions for style D: blind hole.

On request:

Suitable nuts.

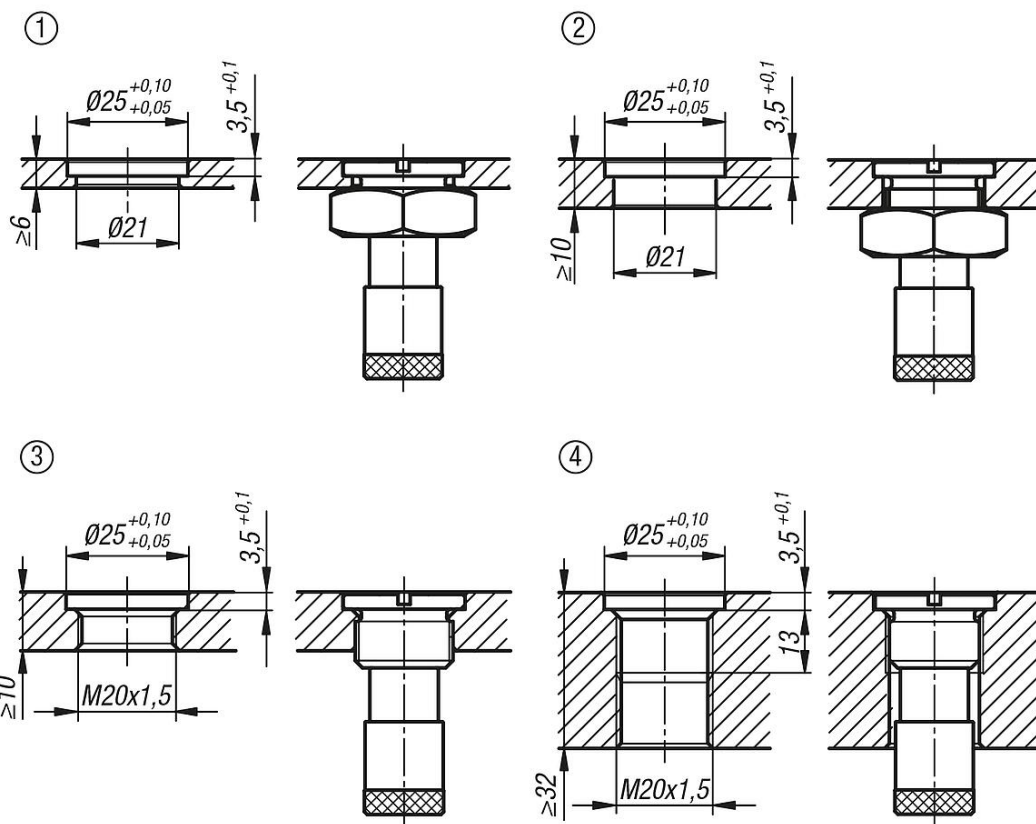
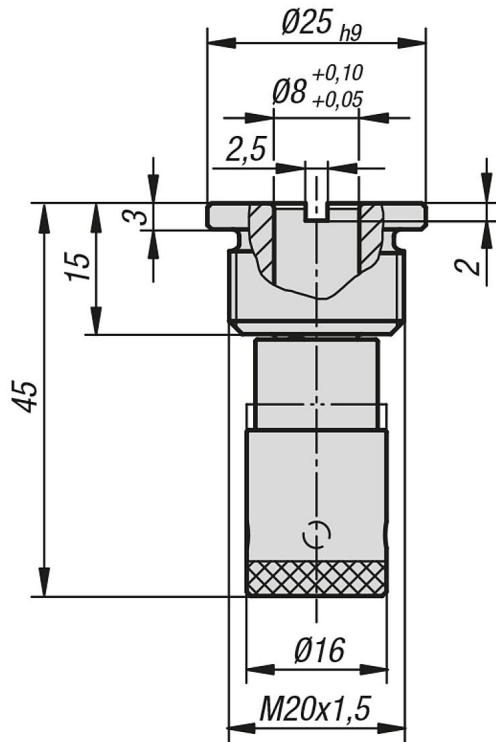
Accessory:

Locking pin K1067.



Ball lock bushings with twist lock

Drawings



Ball lock bushings with twist lock

Ball lock bushings with twist lock

Order No.	Clamping force N	Shearing force kN	Pullout force F kN	Temperature resistance
K1066.71	7	1,8	1,8	≤180 °C
K1066.151	15	1,8	1,8	≤180 °C