

Rest pads, pin style with internal thread

Item description/product images



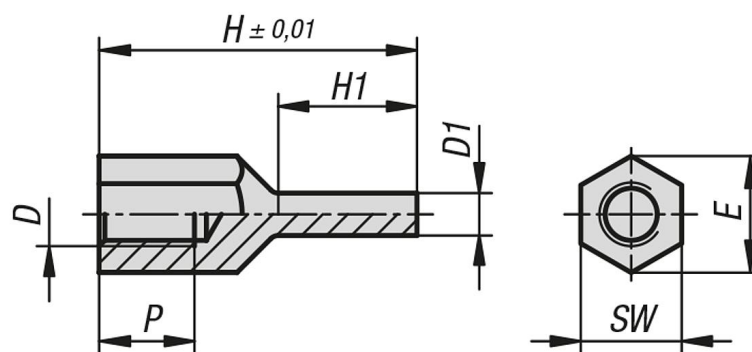
Description

Material:
Carbon steel.

Version:
Tempered, black oxidized.
Seating face inductively hardened and ground.

Note:
The rest pads can be used both as a stable and precise support and as a stop.
The pin style of the rest pad also allows it to be used with components with constricted support points.

Drawings



Rest pads, pin style with internal thread

Order No.	D	D1	E	H	H1	P	SW
K1105.2060420	M6	4	11	20	8,5	6	10
K1105.2060430	M6	4	11	30	13,5	9	10
K1105.2080430	M8	4	14,4	30	13	10	13
K1105.2080440	M8	4	14,4	40	18	14	13
K1105.2080630	M8	6	14,4	30	13	10	13
K1105.2080640	M8	6	14,4	40	18	14	13
K1105.2100630	M10	6	19	30	12	10	17
K1105.2100650	M10	6	19	50	25	15	17
K1105.2100830	M10	8	19	30	12	10	17
K1105.2100850	M10	8	19	50	25	15	17
K1105.2120640	M12	6	21,2	40	18	12	19

Rest pads, pin style with internal thread

Order No.	D	D1	E	H	H1	P	SW
K1105.2120660	M12	6	21,2	60	28	18	19
K1105.2120840	M12	8	21,2	40	18	12	19
K1105.2120860	M12	8	21,2	60	28	18	19