

Pins with split pin hole suitable for clevis

Item description/product images



Description

Material:

Steel 1.0718 or stainless steel 1.4305.

Version:

Electro zinc-plated steel.

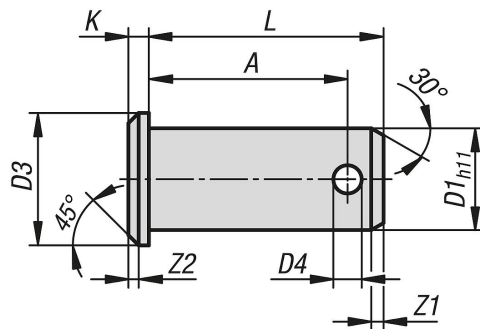
Bright stainless steel.

Note:

Pins with a hole, suitable for DIN 71752 clevis. Secured with a split pin.

When combined with a suitable clevis and tang, styles a fully functional clevis joint.

Drawings



Pins with split pin hole suitable for clevis

Order No.	Main material	D1	D3	D4	A	K	L	Z1	Z2
K1456.004100	steel	4	6	1	10	1	12	1	0,5
K1456.005123	steel	5	8	1,2	12,3	1,5	15	1	0,5
K1456.006153	steel	6	9	1,6	15,3	1,5	18	1,5	0,5
K1456.008195	steel	8	12	2	19,5	2	23	2	1
K1456.010245	steel	10	14	3,2	24,5	2	29	2	1
K1456.012295	steel	12	17	4	29,5	3	35	2,5	1,5
K1456.014325	steel	14	19	4	32,5	3	40	2,5	1,5
K1456.016382	steel	16	21	4	38,2	3	45	2,5	1,5
K1456.020470	steel	20	26	5	47	4	53	3	2
K1456.025590	steel	25	32	6,3	59	5	67	4	2
K1456.028632	steel	28	34	6,3	63,2	5	72	4	2
K1456.030590	steel	30	36	6,3	59	5	67	4	2
K1456.030682	steel	30	36	6,3	68,2	5	77	4	2
K1456.035765	steel	35	44	8	76,5	6	87	5	2
K1456.040900	steel	40	48	8	90	6	100	5	2
K1456.042900	steel	42	48	8	90	7	100	5	2
K1456.0501030	steel	50	58	10	103	7	115	6	2
K1456.104100	stainless steel	4	6	1	10	1	12	1	0,5
K1456.105123	stainless steel	5	8	1,2	12,3	1,5	15	1	0,5
K1456.106153	stainless steel	6	9	1,6	15,3	1,5	18	1,5	0,5
K1456.108195	stainless steel	8	12	2	19,5	2	23	2	1
K1456.110245	stainless steel	10	14	3,2	24,5	2	29	2	1
K1456.112295	stainless steel	12	17	4	29,5	3	35	2,5	1,5
K1456.114325	stainless steel	14	19	4	32,5	3	40	2,5	1,5

Pins with split pin hole suitable for clevis

Order No.	Main material	D1	D3	D4	A	K	L	Z1	Z2
K1456.116382	stainless steel	16	21	4	38,2	3	45	2,5	1,5
K1456.120470	stainless steel	20	26	5	47	4	53	3	2
K1456.125590	stainless steel	25	32	6,3	59	5	67	4	2
K1456.130590	stainless steel	30	36	6,3	59	5	67	4	2