

Screw plugs with hexagon socket

Item description/product images



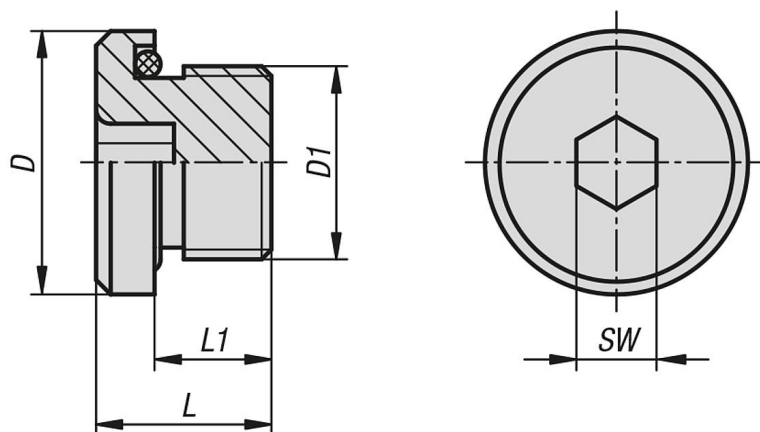
Description

Material:
Steel 1.0737.
O-ring NBR, Shore 90.

Version:
Electro zinc-plated.

Note:
Operating temperature: -20°C / +100°C.
Operating pressure: max. 70 bar for static application.

Drawings



Screw plugs with hexagon socket

Item No.	D	D1	L	L1	SW
K1102.15018	15	G1/8	13	9	4
K1102.19014	19	G1/4	16	11	6
K1102.22038	22	G3/8	17	11	6
K1102.27012	27	G1/2	20	14	8
K1102.32034	32	G3/4	20	14	12
K1102.40001	40	G1	22	16	12
K1102.50114	50	G1 1/4	25	18	12
K1102.55112	55	G1 1/2	24	17	24
K1102.141010	15	M10X1	12	8	5
K1102.171215	17	M12X1,5	16	10	6
K1102.191415	19	M14X1,5	16	10	6
K1102.221615	22	M16X1,5	16	10	6
K1102.251815	25	M18X1,5	17	11	8
K1102.272015	27	M20X1,5	18	12	8
K1102.282215	28	M22X1,5	18	12	10
K1102.322615	32	M26X1,5	20	13,5	12
K1102.322702	32	M27X2	20	13,5	12
K1102.403302	40	M33X2	21	15	17
K1102.504202	50	M42X2	24	17	22
K1102.554802	55	M48X2	24	17	24

