

## Indexing plungers with T-grip, without locking slot, without locknut, Style A

Item description/product images

### METRIC Parts



### Description

#### Material:

Steel version:  
Indexing pin hardened:  
pin 1.0718  
threaded body 1.0718.

Stainless steel version:  
Indexing pin hardened:  
pin 1.4305 (AISI 303 equivalent)  
threaded body 1.4305 (AISI 303 equivalent).

T-grip thermoplastic, black gray or traffic red RAL 3020.

#### Version:

Steel version:  
indexing pin hardened, ground and black oxidized.  
Threaded body black oxidized

Stainless steel version:  
indexing pin hardened, ground and bright.  
Threaded body bright.

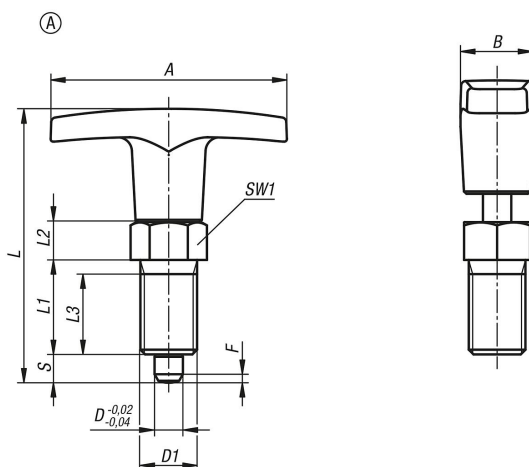
#### Note:

Indexing plungers are used to prevent any change in locking position due to lateral forces. A new locking position can only be set after the pin has been manually disengaged. The ergonomic T-grip enables easy handling and low effort.

#### On request:

Special versions.

### Drawings



Order No.	Main material	Component color	style	A	B	D	D1	L	L1	L2	L3	Travel S	SW1	Fx30°	Spring force initial pressure F1 approx. N	Spring force final pressure F2 approx. N
K1124.5206	steel	black gray RAL 7021	A	50	15,5	6	M12x1,5	58	20	8	17	6	14	1,8	6	14

## Indexing plungers with T-grip, without locking slot, without locknut, Style A

Order No.	Main material	Component color	style	A	B	D	D1	L	L1	L2	L3	Travel S	SW1	Fx30°	Spring force initial pressure F1 approx. N	Spring force final pressure F2 approx. N
<b>K1124.5308</b>	steel	black gray RAL 7021	A	60	18	8	M16x1,5	77	26	10	23	8	19	2,3	15	35
<b>K1124.5410</b>	steel	black gray RAL 7021	A	72	19	10	M20x1,5	84	28	12	25	10	22	2,8	15	34
<b>K1124.520684</b>	steel	traffic red RAL 3020	A	50	15,5	6	M12x1,5	58	20	8	17	6	14	1,8	6	14
<b>K1124.530884</b>	steel	traffic red RAL 3020	A	60	18	8	M16x1,5	77	26	10	23	8	19	2,3	15	35
<b>K1124.541084</b>	steel	traffic red RAL 3020	A	72	19	10	M20x1,5	84	28	12	25	10	22	2,8	15	34
<b>K1124.05206</b>	stainless steel	black gray RAL 7021	A	50	15,5	6	M12x1,5	58	20	8	17	6	14	1,8	6	14
<b>K1124.05308</b>	stainless steel	black gray RAL 7021	A	60	18	8	M16x1,5	77	26	10	23	8	19	2,3	15	35
<b>K1124.05410</b>	stainless steel	black gray RAL 7021	A	72	19	10	M20x1,5	84	28	12	25	10	22	2,8	15	34
<b>K1124.0520684</b>	stainless steel	traffic red RAL 3020	A	50	15,5	6	M12x1,5	58	20	8	17	6	14	1,8	6	14
<b>K1124.0530884</b>	stainless steel	traffic red RAL 3020	A	60	18	8	M16x1,5	77	26	10	23	8	19	2,3	15	35
<b>K1124.0541084</b>	stainless steel	traffic red RAL 3020	A	72	19	10	M20x1,5	84	28	12	25	10	22	2,8	15	34