

## Levelling feet plates, style B

### Item description/product images



### Description

#### Material:

Plate die-cast zinc or stainless steel 1.4305 (AISI 303 equivalent).  
Anti-slip plate thermoplastic elastomer.

#### Version:

Die-cast zinc plate, black powder-coated.  
Stainless steel plate, bright.

#### Order information:

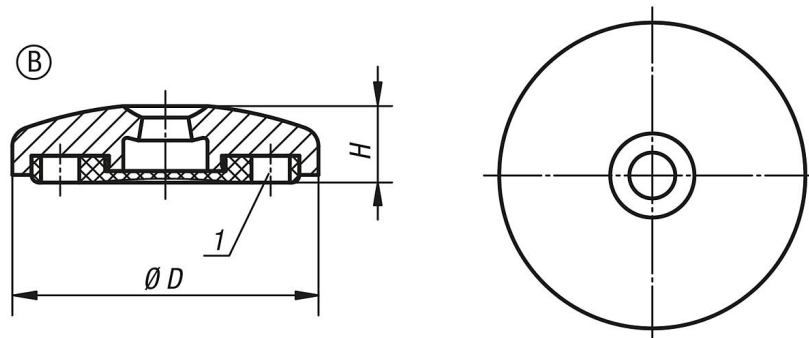
If the levelling foot plate and the threaded spindle are to be supplied assembled, please add the suffix "assembled" to the order number for the plate and spindle. (e.g. K0425.10601 and K0427.120661 assembled).

#### Note:

Levelling feet consist of a plate and a threaded spindle. Any plate can be combined with any threaded spindle.

The anti-slip plate absorbs vibrations and prevents the levelling foot slipping. For matching threaded spindles see K0427.

### Drawings



| Order No.   | style | Main material   | D   | A | H  | Load rating max. kN |
|-------------|-------|-----------------|-----|---|----|---------------------|
| K0425.20601 | B     | zinc            | 60  | - | 20 | 35                  |
| K0425.20801 | B     | zinc            | 80  | - | 20 | 35                  |
| K0425.21001 | B     | zinc            | 100 | - | 20 | 35                  |
| K0425.21201 | B     | zinc            | 120 | - | 20 | 35                  |
| K0425.20602 | B     | stainless steel | 60  | - | 20 | 45                  |
| K0425.20802 | B     | stainless steel | 80  | - | 20 | 45                  |
| K0425.21002 | B     | stainless steel | 100 | - | 20 | 45                  |