

## Levelling feet plates ECO, style B

### Item description/product images



### Description

**Material:**

Plate thermoplastic, die-cast zinc or stainless steel 1.4305 (AISI 303 equivalent).  
Anti-slip plate thermoplastic elastomer.

**Version:**

Thermoplastic plate black.  
Die-cast zinc plate blue electro zinc-plated.  
Stainless steel plate bright.

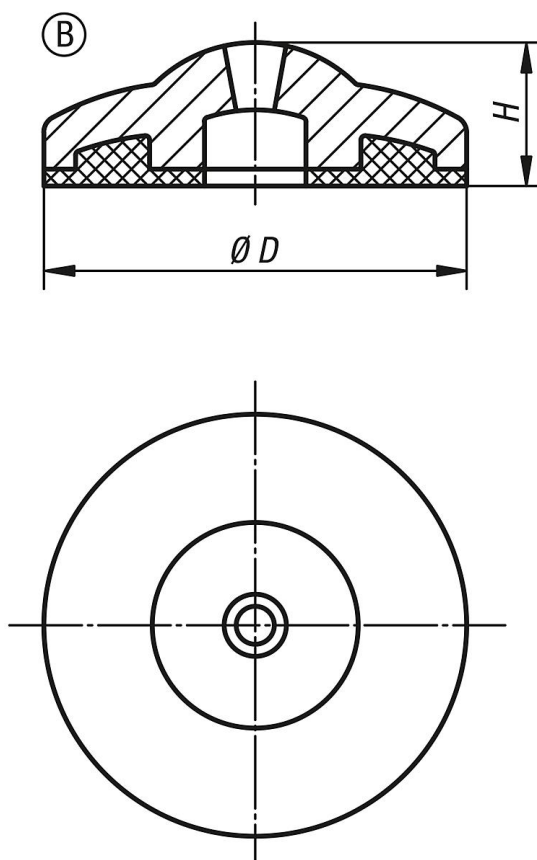
**Order information:**

If the levelling foot plate and the threaded spindle are to be supplied assembled, please add the suffix "assembled" to the order number for the plate and spindle. (e.g. K0428.10303 and K0429.080801 "assembled".)

**Note:**

ECO levelling feet consist of a plate and a threaded spindle. Any plate can be combined with any threaded spindle.  
The anti-slip plate absorbs vibrations and prevents the levelling foot slipping.  
For matching threaded spindles see K0429.

### Drawings



## Levelling feet plates ECO, style B

Order No.	style	Main material	D	H	Load rating max. kN
K0428.20301	B	zinc	30	13,5	16
K0428.20401	B	zinc	40	14,5	18
K0428.20501	B	zinc	50	17,5	20
K0428.20302	B	stainless steel	30	13,5	22
K0428.20402	B	stainless steel	40	14,5	24
K0428.20502	B	stainless steel	50	17,5	26
K0428.20303	B	thermoplastic	30	13,5	15
K0428.20403	B	thermoplastic	40	14,5	15
K0428.20503	B	thermoplastic	50	17,5	15