

Levelling feet steel or stainless steel style B

Item description/product images

Description

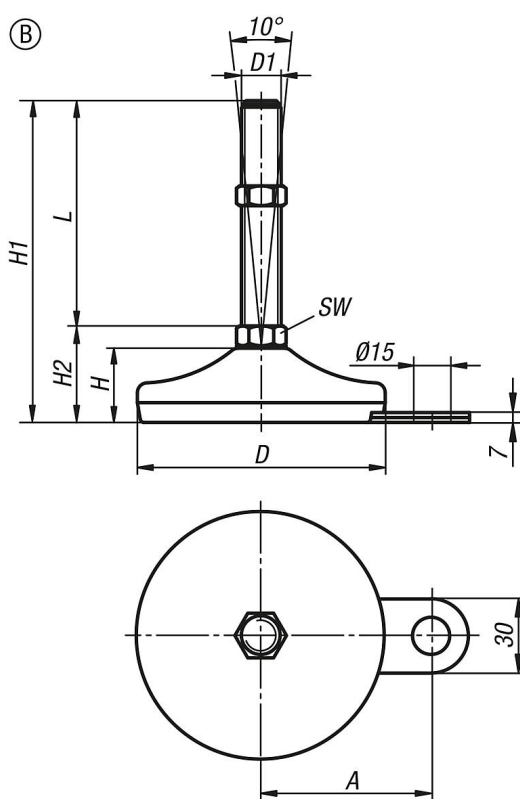
Material:

Foot plate and threaded spindle steel or stainless steel.
Rubber support (NBR) 80 Shore.

Version:

Foot plate and threaded spindle electro zinc-plated steel.
Foot plate polished stainless steel.
Threaded spindle bright stainless steel.
Rubber support, vulcanised, black.

Drawings



Order No.	style	Main material	A	D	D1	H	H1	H2	SW	L	Load rating max. kN (static load only)
K0739.2206012X150	B	stainless steel	45	60	M12	22	182	32	14	150	7
K0739.2106012X100	B	steel	45	60	M12	22	132	32	14	100	7
K0739.2106010X100	B	steel	45	60	M10	22	132	32	14	100	7
K0739.2206012X100	B	stainless steel	45	60	M12	22	132	32	14	100	7
K0739.2206010X50	B	stainless steel	45	60	M10	22	82	32	14	50	7
K0739.2106012X150	B	steel	45	60	M12	22	182	32	14	150	7
K0739.2206010X100	B	stainless steel	45	60	M10	22	132	32	14	100	7
K0739.2106012X50	B	steel	45	60	M12	22	82	32	14	50	7
K0739.2106010X50	B	steel	45	60	M10	22	82	32	14	50	7
K0739.2206012X50	B	stainless steel	45	60	M12	22	82	32	14	50	7
K0739.2108010X50	B	steel	54	80	M10	25	85	35	14	50	10

Levelling feet steel or stainless steel style B

Order No.	style	Main material	A	D	D1	H	H1	H2	SW	L	Load rating max. kN (static load only)
K0739.2108010X100	B	steel	54	80	M10	25	135	35	14	100	10
K0739.2108012X50	B	steel	54	80	M12	25	85	35	14	50	10
K0739.2108012X100	B	steel	54	80	M12	25	135	35	14	100	10
K0739.2108012X150	B	steel	54	80	M12	25	185	35	14	150	10
K0739.2108014X50	B	steel	54	80	M14	25	85	35	14	50	10
K0739.2108014X100	B	steel	54	80	M14	25	135	35	14	100	10
K0739.2108014X150	B	steel	54	80	M14	25	185	35	14	150	10
K0739.2108016X100	B	steel	54	80	M16	25	135	35	16	100	10
K0739.2108016X150	B	steel	54	80	M16	25	185	35	16	150	10
K0739.2108020X75	B	steel	54	80	M20	25	111	36	20	75	10
K0739.2108020X100	B	steel	54	80	M20	25	136	36	20	100	10
K0739.2108020X150	B	steel	54	80	M20	25	186	36	20	150	10
K0739.2108020X200	B	steel	54	80	M20	25	236	36	20	200	10
K0739.2110020X75	B	steel	69	100	M20	28	113,5	38,5	20	75	15
K0739.2110020X100	B	steel	69	100	M20	28	138,5	38,5	20	100	15
K0739.2110020X150	B	steel	69	100	M20	28	188,5	38,5	20	150	15
K0739.2110020X200	B	steel	69	100	M20	28	238,5	38,5	20	200	15
K0739.2110020X250	B	steel	69	100	M20	28	288,5	38,5	20	250	15
K0739.2110024X100	B	steel	69	100	M24	28	138,5	38,5	24	100	15
K0739.2110024X150	B	steel	69	100	M24	28	188,5	38,5	24	150	15
K0739.2110024X200	B	steel	69	100	M24	28	238,5	38,5	24	200	15
K0739.2110024X250	B	steel	69	100	M24	28	288,5	38,5	24	250	15
K0739.2208010X50	B	stainless steel	54	80	M10	25	85	35	14	50	10
K0739.2208010X75	B	stainless steel	54	80	M10	25	110	35	14	75	10
K0739.2208010X100	B	stainless steel	54	80	M10	25	135	35	14	100	10
K0739.2208010X125	B	stainless steel	54	80	M10	25	160	35	14	125	10
K0739.2208012X50	B	stainless steel	54	80	M12	25	85	35	14	50	10
K0739.2208012X75	B	stainless steel	54	80	M12	25	110	35	14	75	10
K0739.2208012X100	B	stainless steel	54	80	M12	25	135	35	14	100	10
K0739.2208012X125	B	stainless steel	54	80	M12	25	160	35	14	125	10
K0739.2208012X150	B	stainless steel	54	80	M12	25	185	35	14	150	10
K0739.2208014X75	B	stainless steel	54	80	M14	25	110	35	14	75	10
K0739.2208014X100	B	stainless steel	54	80	M14	25	135	35	14	100	10
K0739.2208014X125	B	stainless steel	54	80	M14	25	160	35	14	125	10
K0739.2208014X150	B	stainless steel	54	80	M14	25	185	35	14	150	10
K0739.2208014X175	B	stainless steel	54	80	M14	25	210	35	14	175	10
K0739.2208016X75	B	stainless steel	54	80	M16	25	110	35	13	75	10
K0739.2208016X100	B	stainless steel	54	80	M16	25	135	35	13	100	10
K0739.2208016X125	B	stainless steel	54	80	M16	25	160	35	13	125	10
K0739.2208016X150	B	stainless steel	54	80	M16	25	185	35	13	150	10
K0739.2208016X175	B	stainless steel	54	80	M16	25	210	35	13	175	10
K0739.2208020X75	B	stainless steel	54	80	M20	25	113	38	17	75	10
K0739.2208020X100	B	stainless steel	54	80	M20	25	138	38	17	100	10
K0739.2208020X125	B	stainless steel	54	80	M20	25	163	38	17	125	10
K0739.2208020X150	B	stainless steel	54	80	M20	25	188	38	17	150	10
K0739.2208020X175	B	stainless steel	54	80	M20	25	213	38	17	175	10
K0739.2208020X200	B	stainless steel	54	80	M20	25	238	38	17	200	10
K0739.2208020X225	B	stainless steel	54	80	M20	25	263	38	17	225	10
K0739.2210020X75	B	stainless steel	69	100	M20	30	118	43	17	75	15
K0739.2210020X100	B	stainless steel	69	100	M20	30	143	43	17	100	15
K0739.2210020X125	B	stainless steel	69	100	M20	30	168	43	17	125	15
K0739.2210020X150	B	stainless steel	69	100	M20	30	193	43	17	150	15
K0739.2210020X175	B	stainless steel	69	100	M20	30	218	43	17	175	15
K0739.2210020X200	B	stainless steel	69	100	M20	30	243	43	17	200	15
K0739.2210024X100	B	stainless steel	69	100	M24	30	144	44	20	100	15
K0739.2210024X125	B	stainless steel	69	100	M24	30	169	44	20	125	15
K0739.2210024X150	B	stainless steel	69	100	M24	30	194	44	20	150	15
K0739.2210024X175	B	stainless steel	69	100	M24	30	219	44	20	175	15
K0739.2210024X200	B	stainless steel	69	100	M24	30	244	44	20	200	15

