

Ball lock pins, stainless steel, with head-end lock, style B

Item description/product images



Description

Material:

Grip and push button stainless steel 1.4305.
Pin stainless steel 1.4305.
Balls stainless steel 1.4125.
Spring and hanger stainless steel wire 1.4310.

Version:

Bright.

Note:

Ball lock pins are used for easy fastening or joining of components. The two balls are disengaged by pressing the push button and the pin can be slipped into holes in the workpieces. When the push button is released, the balls lock the connection securely.

Shear force double shear (F) = S · τ aB max.

The values given for the shear force are the theoretical breaking load. These are non-binding reference values without consideration of safety factors and exclude any liability. The values given are for information purposes only and do not constitute a legally binding assurance of properties.

The load values have been calculated in accordance with DIN 50141. Each user must determine individually whether the ball lock pin is suitable for the respective application.

Different materials in which the ball lock pins are used, weather conditions and wear can influence the determined values.

Benefits:

Wide connections possible.
The pin length does not need to be coordinated with the component width.

On request:

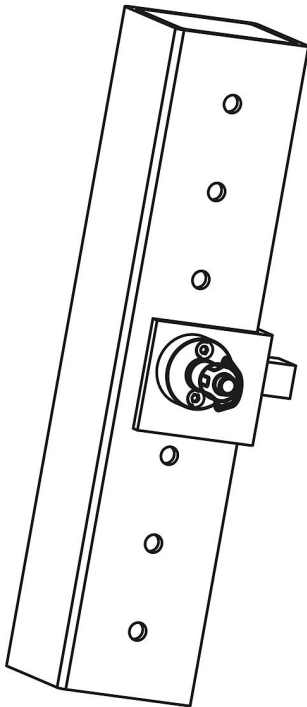
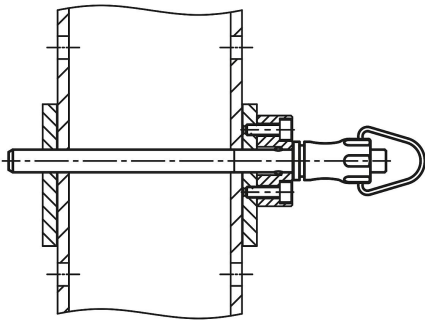
Other pin lengths.

Accessory:

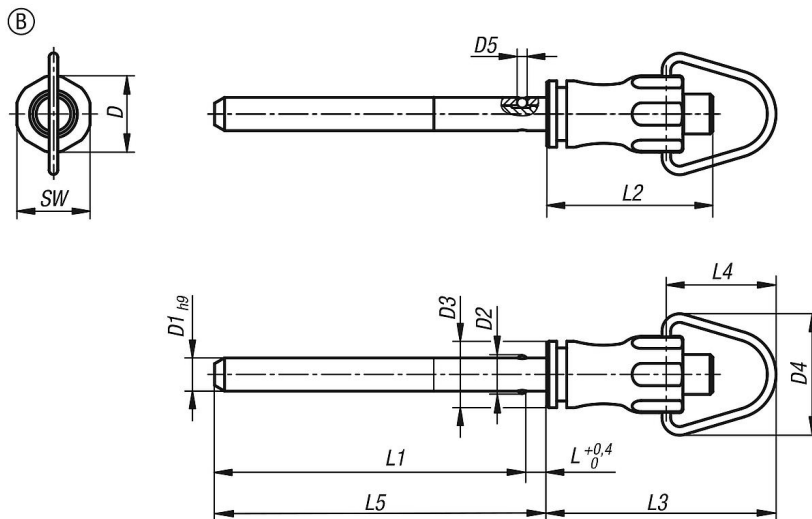
Adapter bushings for ball lock pins with head lock K1416.
For style B:
Safety spiral cable K0367
Retaining cable with eyelet K0367
Key ring K0367

Ball lock pins, stainless steel, with head-end lock, style B

Item description/product images



Drawings



Ball lock pins, stainless steel, with head-end lock, style B

| Order No. | style | D | D1 | D2 | D3 | D4 | D5 | L | L1 | L2 | L3 | L4 | L5 | SW | Receiving hole H11 | Shearing force double shear max.kN |
|-----------------|-------|------|----|------|------|------|-----|-----|-------|------|------|------|-----|----|--------------------|------------------------------------|
| K1414.101205050 | B | 11,5 | 5 | 5,5 | 10 | 18,3 | 1,5 | 3 | 47 | 25 | 34,6 | 16,6 | 50 | 11 | 5 | 10 |
| K1414.101205100 | B | 11,5 | 5 | 5,5 | 10 | 18,3 | 1,5 | 3 | 97 | 25 | 34,6 | 16,6 | 100 | 11 | 5 | 10 |
| K1414.101205150 | B | 11,5 | 5 | 5,5 | 10 | 18,3 | 1,5 | 3 | 147 | 25 | 34,6 | 16,6 | 150 | 11 | 5 | 10 |
| K1414.101206050 | B | 11,5 | 6 | 6,85 | 10 | 18,3 | 2 | 3 | 47 | 25 | 34,6 | 16,6 | 50 | 11 | 6 | 14 |
| K1414.101206100 | B | 11,5 | 6 | 6,85 | 10 | 18,3 | 2 | 3 | 97 | 25 | 34,6 | 16,6 | 100 | 11 | 6 | 14 |
| K1414.101206150 | B | 11,5 | 6 | 6,85 | 10 | 18,3 | 2 | 3 | 147 | 25 | 34,6 | 16,6 | 150 | 11 | 6 | 14 |
| K1414.101508100 | B | 15,5 | 8 | 9,5 | 13,5 | 24 | 3 | 3,5 | 96,5 | 33 | 46,7 | 22,7 | 100 | 15 | 8 | 26 |
| K1414.101508150 | B | 15,5 | 8 | 9,5 | 13,5 | 24 | 3 | 3,5 | 146,5 | 33 | 46,7 | 22,7 | 150 | 15 | 8 | 26 |
| K1414.101508200 | B | 15,5 | 8 | 9,5 | 13,5 | 24 | 3 | 3,5 | 196,5 | 33 | 46,7 | 22,7 | 200 | 15 | 8 | 26 |
| K1414.101510100 | B | 15,5 | 10 | 12 | 13,5 | 24 | 4 | 3,5 | 96,5 | 33 | 46,7 | 22,7 | 100 | 15 | 10 | 40 |
| K1414.101510150 | B | 15,5 | 10 | 12 | 13,5 | 24 | 4 | 3,5 | 146,5 | 33 | 46,7 | 22,7 | 150 | 15 | 10 | 40 |
| K1414.101510200 | B | 15,5 | 10 | 12 | 13,5 | 24 | 4 | 3,5 | 196,5 | 33 | 46,7 | 22,7 | 200 | 15 | 10 | 40 |
| K1414.102112150 | B | 22 | 12 | 14,5 | 20 | 33 | 4,5 | 3,5 | 146,5 | 39,5 | 59,3 | 30,3 | 150 | 21 | 12 | 57 |
| K1414.102112200 | B | 22 | 12 | 14,5 | 20 | 33 | 4,5 | 3,5 | 196,5 | 39,5 | 59,3 | 30,3 | 200 | 21 | 12 | 57 |
| K1414.102112250 | B | 22 | 12 | 14,5 | 20 | 33 | 4,5 | 3,5 | 246,5 | 39,5 | 59,3 | 30,3 | 250 | 21 | 12 | 57 |
| K1414.102116150 | B | 22 | 16 | 19 | 20 | 33 | 6,5 | 4 | 146 | 39,5 | 59,3 | 30,3 | 150 | 21 | 16 | 100 |
| K1414.102116200 | B | 22 | 16 | 19 | 20 | 33 | 6,5 | 4 | 196 | 39,5 | 59,3 | 30,3 | 200 | 21 | 16 | 100 |
| K1414.102116250 | B | 22 | 16 | 19 | 20 | 33 | 6,5 | 4 | 246 | 39,5 | 59,3 | 30,3 | 250 | 21 | 16 | 100 |