

## Adjustable handles, die-cast zinc with external thread, threaded insert blue passivated steel

Item description/product images



### Description

**Material:**

Handle die-cast zinc DIN EN 12844.

Steel parts grade 5.8.

**Version:**

Handle powder coated or high-gloss chromed

Steel parts blue passivated.

**Note:**

Standard colors are:

black satin finish, orange RAL 2004, silver metallic, high gloss chromate.

Where  $L \geq 60$  mm the thread length is 60 mm.

**On request:**

Other threads, colors and special versions.

Dimension "H1" available in other lengths at extra charge.

**Drawing reference:**

1) flat point DIN EN ISO 4753

**Adjustable handles, die-cast zinc with external thread, threaded insert  
blue passivated steel**

Item description/product images

---

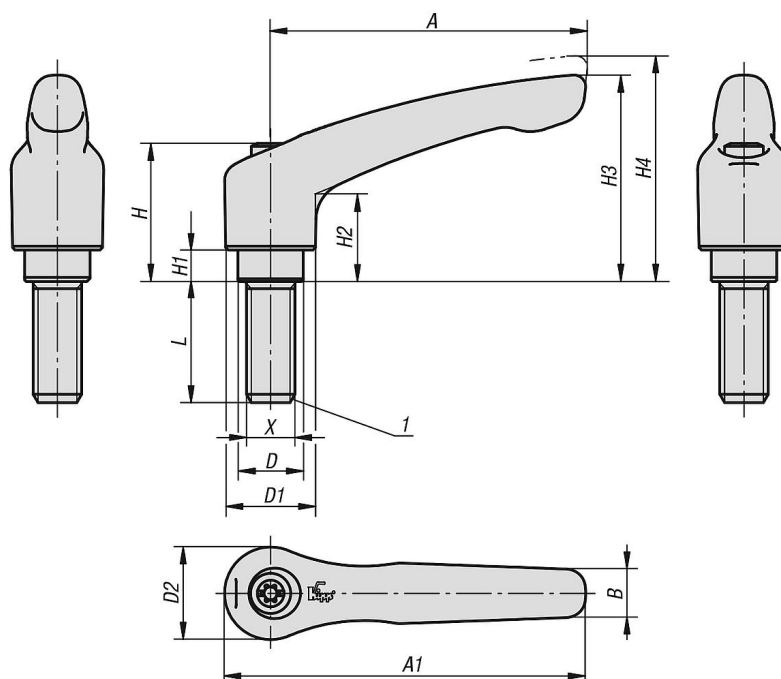


lift to  
disengage



# Adjustable handles, die-cast zinc with external thread, threaded insert blue passivated steel

Drawings



## Adjustable handles with external thread

Order No.	Main color	Surface finish body	Size	X	D	D1	D2	H	H1	H2	H3	H4	A	A1	B	No. of teeth	L
K1659.0041X10	jet black RAL 9005	satin finish	0	M4	10	13	14	24,5	4	14,5	30	33	30	37	7	16	10
K1659.0041X15	jet black RAL 9005	satin finish	0	M4	10	13	14	24,5	4	14,5	30	33	30	37	7	16	15
K1659.0041X20	jet black RAL 9005	satin finish	0	M4	10	13	14	24,5	4	14,5	30	33	30	37	7	16	20
K1659.0041X25	jet black RAL 9005	satin finish	0	M4	10	13	14	24,5	4	14,5	30	33	30	37	7	16	25
K1659.0041X30	jet black RAL 9005	satin finish	0	M4	10	13	14	24,5	4	14,5	30	33	30	37	7	16	30
K1659.0041X35	jet black RAL 9005	satin finish	0	M4	10	13	14	24,5	4	14,5	30	33	30	37	7	16	35
K1659.0041X40	jet black RAL 9005	satin finish	0	M4	10	13	14	24,5	4	14,5	30	33	30	37	7	16	40
K1659.0041X45	jet black RAL 9005	satin finish	0	M4	10	13	14	24,5	4	14,5	30	33	30	37	7	16	45
K1659.0041X50	jet black RAL 9005	satin finish	0	M4	10	13	14	24,5	4	14,5	30	33	30	37	7	16	50
K1659.0042X10	orange RAL 2004	powder coated	0	M4	10	13	14	24,5	4	14,5	30	33	30	37	7	16	10
K1659.0042X15	orange RAL 2004	powder coated	0	M4	10	13	14	24,5	4	14,5	30	33	30	37	7	16	15
K1659.0042X20	orange RAL 2004	powder coated	0	M4	10	13	14	24,5	4	14,5	30	33	30	37	7	16	20
K1659.0042X25	orange RAL 2004	powder coated	0	M4	10	13	14	24,5	4	14,5	30	33	30	37	7	16	25
K1659.0042X30	orange RAL 2004	powder coated	0	M4	10	13	14	24,5	4	14,5	30	33	30	37	7	16	30
K1659.0042X35	orange RAL 2004	powder coated	0	M4	10	13	14	24,5	4	14,5	30	33	30	37	7	16	35
K1659.0042X40	orange RAL 2004	powder coated	0	M4	10	13	14	24,5	4	14,5	30	33	30	37	7	16	40
K1659.0042X45	orange RAL 2004	powder coated	0	M4	10	13	14	24,5	4	14,5	30	33	30	37	7	16	45
K1659.0042X50	orange RAL 2004	powder coated	0	M4	10	13	14	24,5	4	14,5	30	33	30	37	7	16	50
K1659.0043X10	silver metallic	powder coated	0	M4	10	13	14	24,5	4	14,5	30	33	30	37	7	16	10
K1659.0043X15	silver metallic	powder coated	0	M4	10	13	14	24,5	4	14,5	30	33	30	37	7	16	15
K1659.0043X20	silver metallic	powder coated	0	M4	10	13	14	24,5	4	14,5	30	33	30	37	7	16	20
K1659.0043X25	silver metallic	powder coated	0	M4	10	13	14	24,5	4	14,5	30	33	30	37	7	16	25
K1659.0043X30	silver metallic	powder coated	0	M4	10	13	14	24,5	4	14,5	30	33	30	37	7	16	30
K1659.0043X35	silver metallic	powder coated	0	M4	10	13	14	24,5	4	14,5	30	33	30	37	7	16	35
K1659.0043X40	silver metallic	powder coated	0	M4	10	13	14	24,5	4	14,5	30	33	30	37	7	16	40
K1659.0043X45	silver metallic	powder coated	0	M4	10	13	14	24,5	4	14,5	30	33	30	37	7	16	45
K1659.0043X50	silver metallic	powder coated	0	M4	10	13	14	24,5	4	14,5	30	33	30	37	7	16	50
K1659.0046X10	silver	high-gloss chromed	0	M4	10	13	14	24,5	4	14,5	30	33	30	37	7	16	10
K1659.0046X15	silver	high-gloss chromed	0	M4	10	13	14	24,5	4	14,5	30	33	30	37	7	16	15
K1659.0046X20	silver	high-gloss chromed	0	M4	10	13	14	24,5	4	14,5	30	33	30	37	7	16	20
K1659.0046X25	silver	high-gloss chromed	0	M4	10	13	14	24,5	4	14,5	30	33	30	37	7	16	25

## Adjustable handles, die-cast zinc with external thread, threaded insert blue passivated steel

Order No.	Main color	Surface finish body	Size	X	D	D1	D2	H	H1	H2	H3	H4	A	A1	B	No. of teeth	L
K1659.0046X30	silver	high-gloss chromed	0	M4	10	13	14	24,5	4	14,5	30	33	30	37	7	16	30
K1659.0046X35	silver	high-gloss chromed	0	M4	10	13	14	24,5	4	14,5	30	33	30	37	7	16	35
K1659.0046X40	silver	high-gloss chromed	0	M4	10	13	14	24,5	4	14,5	30	33	30	37	7	16	40
K1659.0046X45	silver	high-gloss chromed	0	M4	10	13	14	24,5	4	14,5	30	33	30	37	7	16	45
K1659.0046X50	silver	high-gloss chromed	0	M4	10	13	14	24,5	4	14,5	30	33	30	37	7	16	50
K1659.0051X10	jet black RAL 9005	satın finish	0	M5	10	13	14	24,5	4	14,5	30	33	30	37	7	16	10
K1659.0051X15	jet black RAL 9005	satın finish	0	M5	10	13	14	24,5	4	14,5	30	33	30	37	7	16	15
K1659.0051X20	jet black RAL 9005	satın finish	0	M5	10	13	14	24,5	4	14,5	30	33	30	37	7	16	20
K1659.0051X25	jet black RAL 9005	satın finish	0	M5	10	13	14	24,5	4	14,5	30	33	30	37	7	16	25
K1659.0051X30	jet black RAL 9005	satın finish	0	M5	10	13	14	24,5	4	14,5	30	33	30	37	7	16	30
K1659.0051X35	jet black RAL 9005	satın finish	0	M5	10	13	14	24,5	4	14,5	30	33	30	37	7	16	35
K1659.0051X40	jet black RAL 9005	satın finish	0	M5	10	13	14	24,5	4	14,5	30	33	30	37	7	16	40
K1659.0051X45	jet black RAL 9005	satın finish	0	M5	10	13	14	24,5	4	14,5	30	33	30	37	7	16	45
K1659.0051X50	jet black RAL 9005	satın finish	0	M5	10	13	14	24,5	4	14,5	30	33	30	37	7	16	50
K1659.0052X10	orange RAL 2004	powder coated	0	M5	10	13	14	24,5	4	14,5	30	33	30	37	7	16	10
K1659.0052X15	orange RAL 2004	powder coated	0	M5	10	13	14	24,5	4	14,5	30	33	30	37	7	16	15
K1659.0052X20	orange RAL 2004	powder coated	0	M5	10	13	14	24,5	4	14,5	30	33	30	37	7	16	20
K1659.0052X25	orange RAL 2004	powder coated	0	M5	10	13	14	24,5	4	14,5	30	33	30	37	7	16	25
K1659.0052X30	orange RAL 2004	powder coated	0	M5	10	13	14	24,5	4	14,5	30	33	30	37	7	16	30
K1659.0052X35	orange RAL 2004	powder coated	0	M5	10	13	14	24,5	4	14,5	30	33	30	37	7	16	35
K1659.0052X40	orange RAL 2004	powder coated	0	M5	10	13	14	24,5	4	14,5	30	33	30	37	7	16	40
K1659.0052X45	orange RAL 2004	powder coated	0	M5	10	13	14	24,5	4	14,5	30	33	30	37	7	16	45
K1659.0052X50	orange RAL 2004	powder coated	0	M5	10	13	14	24,5	4	14,5	30	33	30	37	7	16	50
K1659.0053X10	silver metallic	powder coated	0	M5	10	13	14	24,5	4	14,5	30	33	30	37	7	16	10
K1659.0053X15	silver metallic	powder coated	0	M5	10	13	14	24,5	4	14,5	30	33	30	37	7	16	15
K1659.0053X20	silver metallic	powder coated	0	M5	10	13	14	24,5	4	14,5	30	33	30	37	7	16	20
K1659.0053X25	silver metallic	powder coated	0	M5	10	13	14	24,5	4	14,5	30	33	30	37	7	16	25
K1659.0053X30	silver metallic	powder coated	0	M5	10	13	14	24,5	4	14,5	30	33	30	37	7	16	30
K1659.0053X35	silver metallic	powder coated	0	M5	10	13	14	24,5	4	14,5	30	33	30	37	7	16	35
K1659.0053X40	silver metallic	powder coated	0	M5	10	13	14	24,5	4	14,5	30	33	30	37	7	16	40
K1659.0053X45	silver metallic	powder coated	0	M5	10	13	14	24,5	4	14,5	30	33	30	37	7	16	45
K1659.0053X50	silver metallic	powder coated	0	M5	10	13	14	24,5	4	14,5	30	33	30	37	7	16	50
K1659.0056X10	silver	high-gloss chromed	0	M5	10	13	14	24,5	4	14,5	30	33	30	37	7	16	10
K1659.0056X15	silver	high-gloss chromed	0	M5	10	13	14	24,5	4	14,5	30	33	30	37	7	16	15
K1659.0056X20	silver	high-gloss chromed	0	M5	10	13	14	24,5	4	14,5	30	33	30	37	7	16	20
K1659.0056X25	silver	high-gloss chromed	0	M5	10	13	14	24,5	4	14,5	30	33	30	37	7	16	25
K1659.0056X30	silver	high-gloss chromed	0	M5	10	13	14	24,5	4	14,5	30	33	30	37	7	16	30
K1659.0056X35	silver	high-gloss chromed	0	M5	10	13	14	24,5	4	14,5	30	33	30	37	7	16	35
K1659.0056X40	silver	high-gloss chromed	0	M5	10	13	14	24,5	4	14,5	30	33	30	37	7	16	40
K1659.0056X45	silver	high-gloss chromed	0	M5	10	13	14	24,5	4	14,5	30	33	30	37	7	16	45
K1659.0056X50	silver	high-gloss chromed	0	M5	10	13	14	24,5	4	14,5	30	33	30	37	7	16	50
K1659.1051X10	jet black RAL 9005	satın finish	1	M5	10	13	14	24,5	4	14,5	31	34	40	47	7	16	10
K1659.1051X15	jet black RAL 9005	satın finish	1	M5	10	13	14	24,5	4	14,5	31	34	40	47	7	16	15
K1659.1051X20	jet black RAL 9005	satın finish	1	M5	10	13	14	24,5	4	14,5	31	34	40	47	7	16	20
K1659.1051X25	jet black RAL 9005	satın finish	1	M5	10	13	14	24,5	4	14,5	31	34	40	47	7	16	25
K1659.1051X30	jet black RAL 9005	satın finish	1	M5	10	13	14	24,5	4	14,5	31	34	40	47	7	16	30
K1659.1051X35	jet black RAL 9005	satın finish	1	M5	10	13	14	24,5	4	14,5	31	34	40	47	7	16	35
K1659.1051X40	jet black RAL 9005	satın finish	1	M5	10	13	14	24,5	4	14,5	31	34	40	47	7	16	40
K1659.1051X45	jet black RAL 9005	satın finish	1	M5	10	13	14	24,5	4	14,5	31	34	40	47	7	16	45
K1659.1051X50	jet black RAL 9005	satın finish	1	M5	10	13	14	24,5	4	14,5	31	34	40	47	7	16	50
K1659.1052X10	orange RAL 2004	powder coated	1	M5	10	13	14	24,5	4	14,5	31	34	40	47	7	16	10
K1659.1052X15	orange RAL 2004	powder coated	1	M5	10	13	14	24,5	4	14,5	31	34	40	47	7	16	15
K1659.1052X20	orange RAL 2004	powder coated	1	M5	10	13	14	24,5	4	14,5	31	34	40	47	7	16	20
K1659.1052X25	orange RAL 2004	powder coated	1	M5	10	13	14	24,5	4	14,5	31	34	40	47	7	16	25
K1659.1052X30	orange RAL 2004	powder coated	1	M5	10	13	14	24,5	4	14,5	31	34	40	47	7	16	30
K1659.1052X35	orange RAL 2004	powder coated	1	M5	10	13	14	24,5	4	14,5	31	34	40	47	7	16	35
K1659.1052X40	orange RAL 2004	powder coated	1	M5	10	13	14	24,5	4	14,5	31	34	40	47	7	16	40
K1659.1052X45	orange RAL 2004	powder coated	1	M5	10	13	14	24,5	4	14,5	31	34	40	47	7	16	45
K1659.1052X50	orange RAL 2004	powder coated	1	M5	10	13	14	24,5	4	14,5	31	34	40	47	7	16	50
K1659.1053X10	silver metallic	powder coated	1	M5	10	13	14	24,5	4	14,5	31	34	40	47	7	16	10
K1659.1053X15	silver metallic	powder coated	1	M5	10	13	14	24,5	4	14,5	31	34	40	47	7	16	15
K1659.1053X20	silver metallic	powder coated	1	M5	10	13	14	24,5	4	14,5	31	34	40	47	7	16	20
K1659.1053X25	silver metallic	powder coated	1	M5	10	13	14	24,5	4	14,5	31	34	40	47	7	16	25

## Adjustable handles, die-cast zinc with external thread, threaded insert blue passivated steel

Order No.	Main color	Surface finish body	Size	X	D	D1	D2	H	H1	H2	H3	H4	A	A1	B	No. of teeth	L
K1659.1053X30	silver metallic	powder coated	1	M5	10	13	14	24,5	4	14,5	31	34	40	47	7	16	30
K1659.1053X35	silver metallic	powder coated	1	M5	10	13	14	24,5	4	14,5	31	34	40	47	7	16	35
K1659.1053X40	silver metallic	powder coated	1	M5	10	13	14	24,5	4	14,5	31	34	40	47	7	16	40
K1659.1053X45	silver metallic	powder coated	1	M5	10	13	14	24,5	4	14,5	31	34	40	47	7	16	45
K1659.1053X50	silver metallic	powder coated	1	M5	10	13	14	24,5	4	14,5	31	34	40	47	7	16	50
K1659.1056X10	silver	high-gloss chromed	1	M5	10	13	14	24,5	4	14,5	31	34	40	47	7	16	10
K1659.1056X15	silver	high-gloss chromed	1	M5	10	13	14	24,5	4	14,5	31	34	40	47	7	16	15
K1659.1056X20	silver	high-gloss chromed	1	M5	10	13	14	24,5	4	14,5	31	34	40	47	7	16	20
K1659.1056X25	silver	high-gloss chromed	1	M5	10	13	14	24,5	4	14,5	31	34	40	47	7	16	25
K1659.1056X30	silver	high-gloss chromed	1	M5	10	13	14	24,5	4	14,5	31	34	40	47	7	16	30
K1659.1056X35	silver	high-gloss chromed	1	M5	10	13	14	24,5	4	14,5	31	34	40	47	7	16	35
K1659.1056X40	silver	high-gloss chromed	1	M5	10	13	14	24,5	4	14,5	31	34	40	47	7	16	40
K1659.1056X45	silver	high-gloss chromed	1	M5	10	13	14	24,5	4	14,5	31	34	40	47	7	16	45
K1659.1056X50	silver	high-gloss chromed	1	M5	10	13	14	24,5	4	14,5	31	34	40	47	7	16	50
K1659.1061X10	jet black RAL 9005	satın finish	1	M6	10	13	14	24,5	4	14,5	31	34	40	47	7	16	10
K1659.1061X15	jet black RAL 9005	satın finish	1	M6	10	13	14	24,5	4	14,5	31	34	40	47	7	16	15
K1659.1061X20	jet black RAL 9005	satın finish	1	M6	10	13	14	24,5	4	14,5	31	34	40	47	7	16	20
K1659.1061X25	jet black RAL 9005	satın finish	1	M6	10	13	14	24,5	4	14,5	31	34	40	47	7	16	25
K1659.1061X30	jet black RAL 9005	satın finish	1	M6	10	13	14	24,5	4	14,5	31	34	40	47	7	16	30
K1659.1061X35	jet black RAL 9005	satın finish	1	M6	10	13	14	24,5	4	14,5	31	34	40	47	7	16	35
K1659.1061X40	jet black RAL 9005	satın finish	1	M6	10	13	14	24,5	4	14,5	31	34	40	47	7	16	40
K1659.1061X45	jet black RAL 9005	satın finish	1	M6	10	13	14	24,5	4	14,5	31	34	40	47	7	16	45
K1659.1061X50	jet black RAL 9005	satın finish	1	M6	10	13	14	24,5	4	14,5	31	34	40	47	7	16	50
K1659.1062X10	orange RAL 2004	powder coated	1	M6	10	13	14	24,5	4	14,5	31	34	40	47	7	16	10
K1659.1062X15	orange RAL 2004	powder coated	1	M6	10	13	14	24,5	4	14,5	31	34	40	47	7	16	15
K1659.1062X20	orange RAL 2004	powder coated	1	M6	10	13	14	24,5	4	14,5	31	34	40	47	7	16	20
K1659.1062X25	orange RAL 2004	powder coated	1	M6	10	13	14	24,5	4	14,5	31	34	40	47	7	16	25
K1659.1062X30	orange RAL 2004	powder coated	1	M6	10	13	14	24,5	4	14,5	31	34	40	47	7	16	30
K1659.1062X35	orange RAL 2004	powder coated	1	M6	10	13	14	24,5	4	14,5	31	34	40	47	7	16	35
K1659.1062X40	orange RAL 2004	powder coated	1	M6	10	13	14	24,5	4	14,5	31	34	40	47	7	16	40
K1659.1062X45	orange RAL 2004	powder coated	1	M6	10	13	14	24,5	4	14,5	31	34	40	47	7	16	45
K1659.1062X50	orange RAL 2004	powder coated	1	M6	10	13	14	24,5	4	14,5	31	34	40	47	7	16	50
K1659.1063X10	silver metallic	powder coated	1	M6	10	13	14	24,5	4	14,5	31	34	40	47	7	16	10
K1659.1063X15	silver metallic	powder coated	1	M6	10	13	14	24,5	4	14,5	31	34	40	47	7	16	15
K1659.1063X20	silver metallic	powder coated	1	M6	10	13	14	24,5	4	14,5	31	34	40	47	7	16	20
K1659.1063X25	silver metallic	powder coated	1	M6	10	13	14	24,5	4	14,5	31	34	40	47	7	16	25
K1659.1063X30	silver metallic	powder coated	1	M6	10	13	14	24,5	4	14,5	31	34	40	47	7	16	30
K1659.1063X35	silver metallic	powder coated	1	M6	10	13	14	24,5	4	14,5	31	34	40	47	7	16	35
K1659.1063X40	silver metallic	powder coated	1	M6	10	13	14	24,5	4	14,5	31	34	40	47	7	16	40
K1659.1063X45	silver metallic	powder coated	1	M6	10	13	14	24,5	4	14,5	31	34	40	47	7	16	45
K1659.1063X50	silver metallic	powder coated	1	M6	10	13	14	24,5	4	14,5	31	34	40	47	7	16	50
K1659.1066X10	silver	high-gloss chromed	1	M6	10	13	14	24,5	4	14,5	31	34	40	47	7	16	10
K1659.1066X15	silver	high-gloss chromed	1	M6	10	13	14	24,5	4	14,5	31	34	40	47	7	16	15
K1659.1066X20	silver	high-gloss chromed	1	M6	10	13	14	24,5	4	14,5	31	34	40	47	7	16	20
K1659.1066X25	silver	high-gloss chromed	1	M6	10	13	14	24,5	4	14,5	31	34	40	47	7	16	25
K1659.1066X30	silver	high-gloss chromed	1	M6	10	13	14	24,5	4	14,5	31	34	40	47	7	16	30
K1659.1066X35	silver	high-gloss chromed	1	M6	10	13	14	24,5	4	14,5	31	34	40	47	7	16	35
K1659.1066X40	silver	high-gloss chromed	1	M6	10	13	14	24,5	4	14,5	31	34	40	47	7	16	40
K1659.1066X45	silver	high-gloss chromed	1	M6	10	13	14	24,5	4	14,5	31	34	40	47	7	16	45
K1659.1066X50	silver	high-gloss chromed	1	M6	10	13	14	24,5	4	14,5	31	34	40	47	7	16	50
K1659.2061X15	jet black RAL 9005	satın finish	2	M6	13,5	18,5	19	28,5	6,5	17,5	42,5	45,5	65	74,5	9,5	20	15
K1659.2061X20	jet black RAL 9005	satın finish	2	M6	13,5	18,5	19	28,5	6,5	17,5	42,5	45,5	65	74,5	9,5	20	20
K1659.2061X25	jet black RAL 9005	satın finish	2	M6	13,5	18,5	19	28,5	6,5	17,5	42,5	45,5	65	74,5	9,5	20	25
K1659.2061X30	jet black RAL 9005	satın finish	2	M6	13,5	18,5	19	28,5	6,5	17,5	42,5	45,5	65	74,5	9,5	20	30
K1659.2061X35	jet black RAL 9005	satın finish	2	M6	13,5	18,5	19	28,5	6,5	17,5	42,5	45,5	65	74,5	9,5	20	35
K1659.2061X40	jet black RAL 9005	satın finish	2	M6	13,5	18,5	19	28,5	6,5	17,5	42,5	45,5	65	74,5	9,5	20	40
K1659.2061X45	jet black RAL 9005	satın finish	2	M6	13,5	18,5	19	28,5	6,5	17,5	42,5	45,5	65	74,5	9,5	20	45
K1659.2061X50	jet black RAL 9005	satın finish	2	M6	13,5	18,5	19	28,5	6,5	17,5	42,5	45,5	65	74,5	9,5	20	50
K1659.2061X55	jet black RAL 9005	satın finish	2	M6	13,5	18,5	19	28,5	6,5	17,5	42,5	45,5	65	74,5	9,5	20	55
K1659.2061X60	jet black RAL 9005	satın finish	2	M6	13,5	18,5	19	28,5	6,5	17,5	42,5	45,5	65	74,5	9,5	20	60
K1659.2062X15	orange RAL 2004	powder coated	2	M6	13,5	18,5	19	28,5	6,5	17,5	42,5	45,5	65	74,5	9,5	20	15
K1659.2062X20	orange RAL 2004	powder coated	2	M6	13,5	18,5	19	28,5	6,5	17,5	42,5	45,5	65	74,5	9,5	20	20
K1659.2062X25	orange RAL 2004	powder coated	2	M6	13,5	18,5	19	28,5	6,5	17,5	42,5	45,5	65	74,5	9,5	20	25



## Adjustable handles, die-cast zinc with external thread, threaded insert blue passivated steel

Order No.	Main color	Surface finish body	Size	X	D	D1	D2	H	H1	H2	H3	H4	A	A1	B	No. of teeth	L
K1659.2086X45	silver	high-gloss chromed	2	M8	13,5	18,5	19	28,5	6,5	17,5	42,5	45,5	65	74,5	9,5	20	45
K1659.2086X50	silver	high-gloss chromed	2	M8	13,5	18,5	19	28,5	6,5	17,5	42,5	45,5	65	74,5	9,5	20	50
K1659.2086X55	silver	high-gloss chromed	2	M8	13,5	18,5	19	28,5	6,5	17,5	42,5	45,5	65	74,5	9,5	20	55
K1659.2086X60	silver	high-gloss chromed	2	M8	13,5	18,5	19	28,5	6,5	17,5	42,5	45,5	65	74,5	9,5	20	60
K1659.2101X15	jet black RAL 9005	satın finish	2	M10	13,5	18,5	19	28,5	6,5	17,5	42,5	45,5	65	74,5	9,5	20	15
K1659.2101X20	jet black RAL 9005	satın finish	2	M10	13,5	18,5	19	28,5	6,5	17,5	42,5	45,5	65	74,5	9,5	20	20
K1659.2101X25	jet black RAL 9005	satın finish	2	M10	13,5	18,5	19	28,5	6,5	17,5	42,5	45,5	65	74,5	9,5	20	25
K1659.2101X30	jet black RAL 9005	satın finish	2	M10	13,5	18,5	19	28,5	6,5	17,5	42,5	45,5	65	74,5	9,5	20	30
K1659.2101X35	jet black RAL 9005	satın finish	2	M10	13,5	18,5	19	28,5	6,5	17,5	42,5	45,5	65	74,5	9,5	20	35
K1659.2101X40	jet black RAL 9005	satın finish	2	M10	13,5	18,5	19	28,5	6,5	17,5	42,5	45,5	65	74,5	9,5	20	40
K1659.2101X45	jet black RAL 9005	satın finish	2	M10	13,5	18,5	19	28,5	6,5	17,5	42,5	45,5	65	74,5	9,5	20	45
K1659.2101X50	jet black RAL 9005	satın finish	2	M10	13,5	18,5	19	28,5	6,5	17,5	42,5	45,5	65	74,5	9,5	20	50
K1659.2101X55	jet black RAL 9005	satın finish	2	M10	13,5	18,5	19	28,5	6,5	17,5	42,5	45,5	65	74,5	9,5	20	55
K1659.2101X60	jet black RAL 9005	satın finish	2	M10	13,5	18,5	19	28,5	6,5	17,5	42,5	45,5	65	74,5	9,5	20	60
K1659.2102X15	orange RAL 2004	powder coated	2	M10	13,5	18,5	19	28,5	6,5	17,5	42,5	45,5	65	74,5	9,5	20	15
K1659.2102X20	orange RAL 2004	powder coated	2	M10	13,5	18,5	19	28,5	6,5	17,5	42,5	45,5	65	74,5	9,5	20	20
K1659.2102X25	orange RAL 2004	powder coated	2	M10	13,5	18,5	19	28,5	6,5	17,5	42,5	45,5	65	74,5	9,5	20	25
K1659.2102X30	orange RAL 2004	powder coated	2	M10	13,5	18,5	19	28,5	6,5	17,5	42,5	45,5	65	74,5	9,5	20	30
K1659.2102X35	orange RAL 2004	powder coated	2	M10	13,5	18,5	19	28,5	6,5	17,5	42,5	45,5	65	74,5	9,5	20	35
K1659.2102X40	orange RAL 2004	powder coated	2	M10	13,5	18,5	19	28,5	6,5	17,5	42,5	45,5	65	74,5	9,5	20	40
K1659.2102X45	orange RAL 2004	powder coated	2	M10	13,5	18,5	19	28,5	6,5	17,5	42,5	45,5	65	74,5	9,5	20	45
K1659.2102X50	orange RAL 2004	powder coated	2	M10	13,5	18,5	19	28,5	6,5	17,5	42,5	45,5	65	74,5	9,5	20	50
K1659.2102X55	orange RAL 2004	powder coated	2	M10	13,5	18,5	19	28,5	6,5	17,5	42,5	45,5	65	74,5	9,5	20	55
K1659.2102X60	orange RAL 2004	powder coated	2	M10	13,5	18,5	19	28,5	6,5	17,5	42,5	45,5	65	74,5	9,5	20	60
K1659.2103X15	silver metallic	powder coated	2	M10	13,5	18,5	19	28,5	6,5	17,5	42,5	45,5	65	74,5	9,5	20	15
K1659.2103X20	silver metallic	powder coated	2	M10	13,5	18,5	19	28,5	6,5	17,5	42,5	45,5	65	74,5	9,5	20	20
K1659.2103X25	silver metallic	powder coated	2	M10	13,5	18,5	19	28,5	6,5	17,5	42,5	45,5	65	74,5	9,5	20	25
K1659.2103X30	silver metallic	powder coated	2	M10	13,5	18,5	19	28,5	6,5	17,5	42,5	45,5	65	74,5	9,5	20	30
K1659.2103X35	silver metallic	powder coated	2	M10	13,5	18,5	19	28,5	6,5	17,5	42,5	45,5	65	74,5	9,5	20	35
K1659.2103X40	silver metallic	powder coated	2	M10	13,5	18,5	19	28,5	6,5	17,5	42,5	45,5	65	74,5	9,5	20	40
K1659.2103X45	silver metallic	powder coated	2	M10	13,5	18,5	19	28,5	6,5	17,5	42,5	45,5	65	74,5	9,5	20	45
K1659.2103X50	silver metallic	powder coated	2	M10	13,5	18,5	19	28,5	6,5	17,5	42,5	45,5	65	74,5	9,5	20	50
K1659.2103X55	silver metallic	powder coated	2	M10	13,5	18,5	19	28,5	6,5	17,5	42,5	45,5	65	74,5	9,5	20	55
K1659.2103X60	silver metallic	powder coated	2	M10	13,5	18,5	19	28,5	6,5	17,5	42,5	45,5	65	74,5	9,5	20	60
K1659.2106X15	silver	high-gloss chromed	2	M10	13,5	18,5	19	28,5	6,5	17,5	42,5	45,5	65	74,5	9,5	20	15
K1659.2106X20	silver	high-gloss chromed	2	M10	13,5	18,5	19	28,5	6,5	17,5	42,5	45,5	65	74,5	9,5	20	20
K1659.2106X25	silver	high-gloss chromed	2	M10	13,5	18,5	19	28,5	6,5	17,5	42,5	45,5	65	74,5	9,5	20	25
K1659.2106X30	silver	high-gloss chromed	2	M10	13,5	18,5	19	28,5	6,5	17,5	42,5	45,5	65	74,5	9,5	20	30
K1659.2106X35	silver	high-gloss chromed	2	M10	13,5	18,5	19	28,5	6,5	17,5	42,5	45,5	65	74,5	9,5	20	35
K1659.2106X40	silver	high-gloss chromed	2	M10	13,5	18,5	19	28,5	6,5	17,5	42,5	45,5	65	74,5	9,5	20	40
K1659.2106X45	silver	high-gloss chromed	2	M10	13,5	18,5	19	28,5	6,5	17,5	42,5	45,5	65	74,5	9,5	20	45
K1659.2106X50	silver	high-gloss chromed	2	M10	13,5	18,5	19	28,5	6,5	17,5	42,5	45,5	65	74,5	9,5	20	50
K1659.2106X55	silver	high-gloss chromed	2	M10	13,5	18,5	19	28,5	6,5	17,5	42,5	45,5	65	74,5	9,5	20	55
K1659.2106X60	silver	high-gloss chromed	2	M10	13,5	18,5	19	28,5	6,5	17,5	42,5	45,5	65	74,5	9,5	20	60
K1659.3081X15	jet black RAL 9005	satın finish	3	M8	16	21	22	37	10	24	54,5	58,5	80	91	11	22	15
K1659.3081X20	jet black RAL 9005	satın finish	3	M8	16	21	22	37	10	24	54,5	58,5	80	91	11	22	20
K1659.3081X25	jet black RAL 9005	satın finish	3	M8	16	21	22	37	10	24	54,5	58,5	80	91	11	22	25
K1659.3081X30	jet black RAL 9005	satın finish	3	M8	16	21	22	37	10	24	54,5	58,5	80	91	11	22	30
K1659.3081X35	jet black RAL 9005	satın finish	3	M8	16	21	22	37	10	24	54,5	58,5	80	91	11	22	35
K1659.3081X40	jet black RAL 9005	satın finish	3	M8	16	21	22	37	10	24	54,5	58,5	80	91	11	22	40
K1659.3081X45	jet black RAL 9005	satın finish	3	M8	16	21	22	37	10	24	54,5	58,5	80	91	11	22	45
K1659.3081X50	jet black RAL 9005	satın finish	3	M8	16	21	22	37	10	24	54,5	58,5	80	91	11	22	50
K1659.3081X55	jet black RAL 9005	satın finish	3	M8	16	21	22	37	10	24	54,5	58,5	80	91	11	22	55
K1659.3081X60	jet black RAL 9005	satın finish	3	M8	16	21	22	37	10	24	54,5	58,5	80	91	11	22	60
K1659.3082X15	orange RAL 2004	powder coated	3	M8	16	21	22	37	10	24	54,5	58,5	80	91	11	22	15
K1659.3082X20	orange RAL 2004	powder coated	3	M8	16	21	22	37	10	24	54,5	58,5	80	91	11	22	20
K1659.3082X25	orange RAL 2004	powder coated	3	M8	16	21	22	37	10	24	54,5	58,5	80	91	11	22	25
K1659.3082X30	orange RAL 2004	powder coated	3	M8	16	21	22	37	10	24	54,5	58,5	80	91	11	22	30
K1659.3082X35	orange RAL 2004	powder coated	3	M8	16	21	22	37	10	24	54,5	58,5	80	91	11	22	35
K1659.3082X40	orange RAL 2004	powder coated	3	M8	16	21	22	37	10	24	54,5	58,5	80	91	11	22	40
K1659.3082X45	orange RAL 2004	powder coated	3	M8	16	21	22	37	10	24	54,5	58,5	80	91	11	22	45
K1659.3082X50	orange RAL 2004	powder coated	3	M8	16	21	22	37	10	24	54,5	58,5	80	91	11	22	50
K1659.3082X55	orange RAL 2004	powder coated	3	M8	16	21	22	37	10	24	54,5	58,5	80	91	11	22	55

## Adjustable handles, die-cast zinc with external thread, threaded insert blue passivated steel

Order No.	Main color	Surface finish body	Size	X	D	D1	D2	H	H1	H2	H3	H4	A	A1	B	No. of teeth	L
K1659.3082X60	orange RAL 2004	powder coated	3	M8	16	21	22	37	10	24	54,5	58,5	80	91	11	22	60
K1659.3083X15	silver metallic	powder coated	3	M8	16	21	22	37	10	24	54,5	58,5	80	91	11	22	15
K1659.3083X20	silver metallic	powder coated	3	M8	16	21	22	37	10	24	54,5	58,5	80	91	11	22	20
K1659.3083X25	silver metallic	powder coated	3	M8	16	21	22	37	10	24	54,5	58,5	80	91	11	22	25
K1659.3083X30	silver metallic	powder coated	3	M8	16	21	22	37	10	24	54,5	58,5	80	91	11	22	30
K1659.3083X35	silver metallic	powder coated	3	M8	16	21	22	37	10	24	54,5	58,5	80	91	11	22	35
K1659.3083X40	silver metallic	powder coated	3	M8	16	21	22	37	10	24	54,5	58,5	80	91	11	22	40
K1659.3083X45	silver metallic	powder coated	3	M8	16	21	22	37	10	24	54,5	58,5	80	91	11	22	45
K1659.3083X50	silver metallic	powder coated	3	M8	16	21	22	37	10	24	54,5	58,5	80	91	11	22	50
K1659.3083X55	silver metallic	powder coated	3	M8	16	21	22	37	10	24	54,5	58,5	80	91	11	22	55
K1659.3083X60	silver metallic	powder coated	3	M8	16	21	22	37	10	24	54,5	58,5	80	91	11	22	60
K1659.3086X15	silver	high-gloss chromed	3	M8	16	21	22	37	10	24	54,5	58,5	80	91	11	22	15
K1659.3086X20	silver	high-gloss chromed	3	M8	16	21	22	37	10	24	54,5	58,5	80	91	11	22	20
K1659.3086X25	silver	high-gloss chromed	3	M8	16	21	22	37	10	24	54,5	58,5	80	91	11	22	25
K1659.3086X30	silver	high-gloss chromed	3	M8	16	21	22	37	10	24	54,5	58,5	80	91	11	22	30
K1659.3086X35	silver	high-gloss chromed	3	M8	16	21	22	37	10	24	54,5	58,5	80	91	11	22	35
K1659.3086X40	silver	high-gloss chromed	3	M8	16	21	22	37	10	24	54,5	58,5	80	91	11	22	40
K1659.3086X45	silver	high-gloss chromed	3	M8	16	21	22	37	10	24	54,5	58,5	80	91	11	22	45
K1659.3086X50	silver	high-gloss chromed	3	M8	16	21	22	37	10	24	54,5	58,5	80	91	11	22	50
K1659.3086X55	silver	high-gloss chromed	3	M8	16	21	22	37	10	24	54,5	58,5	80	91	11	22	55
K1659.3086X60	silver	high-gloss chromed	3	M8	16	21	22	37	10	24	54,5	58,5	80	91	11	22	60
K1659.3101X15	jet black RAL 9005	satin finish	3	M10	16	21	22	37	10	24	54,5	58,5	80	91	11	22	15
K1659.3101X20	jet black RAL 9005	satin finish	3	M10	16	21	22	37	10	24	54,5	58,5	80	91	11	22	20
K1659.3101X25	jet black RAL 9005	satin finish	3	M10	16	21	22	37	10	24	54,5	58,5	80	91	11	22	25
K1659.3101X30	jet black RAL 9005	satin finish	3	M10	16	21	22	37	10	24	54,5	58,5	80	91	11	22	30
K1659.3101X35	jet black RAL 9005	satin finish	3	M10	16	21	22	37	10	24	54,5	58,5	80	91	11	22	35
K1659.3101X40	jet black RAL 9005	satin finish	3	M10	16	21	22	37	10	24	54,5	58,5	80	91	11	22	40
K1659.3101X45	jet black RAL 9005	satin finish	3	M10	16	21	22	37	10	24	54,5	58,5	80	91	11	22	45
K1659.3101X50	jet black RAL 9005	satin finish	3	M10	16	21	22	37	10	24	54,5	58,5	80	91	11	22	50
K1659.3101X55	jet black RAL 9005	satin finish	3	M10	16	21	22	37	10	24	54,5	58,5	80	91	11	22	55
K1659.3101X60	jet black RAL 9005	satin finish	3	M10	16	21	22	37	10	24	54,5	58,5	80	91	11	22	60
K1659.3102X15	orange RAL 2004	powder coated	3	M10	16	21	22	37	10	24	54,5	58,5	80	91	11	22	15
K1659.3102X20	orange RAL 2004	powder coated	3	M10	16	21	22	37	10	24	54,5	58,5	80	91	11	22	20
K1659.3102X25	orange RAL 2004	powder coated	3	M10	16	21	22	37	10	24	54,5	58,5	80	91	11	22	25
K1659.3102X30	orange RAL 2004	powder coated	3	M10	16	21	22	37	10	24	54,5	58,5	80	91	11	22	30
K1659.3102X35	orange RAL 2004	powder coated	3	M10	16	21	22	37	10	24	54,5	58,5	80	91	11	22	35
K1659.3102X40	orange RAL 2004	powder coated	3	M10	16	21	22	37	10	24	54,5	58,5	80	91	11	22	40
K1659.3102X45	orange RAL 2004	powder coated	3	M10	16	21	22	37	10	24	54,5	58,5	80	91	11	22	45
K1659.3102X50	orange RAL 2004	powder coated	3	M10	16	21	22	37	10	24	54,5	58,5	80	91	11	22	50
K1659.3102X55	orange RAL 2004	powder coated	3	M10	16	21	22	37	10	24	54,5	58,5	80	91	11	22	55
K1659.3102X60	orange RAL 2004	powder coated	3	M10	16	21	22	37	10	24	54,5	58,5	80	91	11	22	60
K1659.3103X15	silver metallic	powder coated	3	M10	16	21	22	37	10	24	54,5	58,5	80	91	11	22	15
K1659.3103X20	silver metallic	powder coated	3	M10	16	21	22	37	10	24	54,5	58,5	80	91	11	22	20
K1659.3103X25	silver metallic	powder coated	3	M10	16	21	22	37	10	24	54,5	58,5	80	91	11	22	25
K1659.3103X30	silver metallic	powder coated	3	M10	16	21	22	37	10	24	54,5	58,5	80	91	11	22	30
K1659.3103X35	silver metallic	powder coated	3	M10	16	21	22	37	10	24	54,5	58,5	80	91	11	22	35
K1659.3103X40	silver metallic	powder coated	3	M10	16	21	22	37	10	24	54,5	58,5	80	91	11	22	40
K1659.3103X45	silver metallic	powder coated	3	M10	16	21	22	37	10	24	54,5	58,5	80	91	11	22	45
K1659.3103X50	silver metallic	powder coated	3	M10	16	21	22	37	10	24	54,5	58,5	80	91	11	22	50
K1659.3103X55	silver metallic	powder coated	3	M10	16	21	22	37	10	24	54,5	58,5	80	91	11	22	55
K1659.3103X60	silver metallic	powder coated	3	M10	16	21	22	37	10	24	54,5	58,5	80	91	11	22	60
K1659.3106X15	silver	high-gloss chromed	3	M10	16	21	22	37	10	24	54,5	58,5	80	91	11	22	15
K1659.3106X20	silver	high-gloss chromed	3	M10	16	21	22	37	10	24	54,5	58,5	80	91	11	22	20
K1659.3106X25	silver	high-gloss chromed	3	M10	16	21	22	37	10	24	54,5	58,5	80	91	11	22	25
K1659.3106X30	silver	high-gloss chromed	3	M10	16	21	22	37	10	24	54,5	58,5	80	91	11	22	30
K1659.3106X35	silver	high-gloss chromed	3	M10	16	21	22	37	10	24	54,5	58,5	80	91	11	22	35
K1659.3106X40	silver	high-gloss chromed	3	M10	16	21	22	37	10	24	54,5	58,5	80	91	11	22	40
K1659.3106X45	silver	high-gloss chromed	3	M10	16	21	22	37	10	24	54,5	58,5	80	91	11	22	45
K1659.3106X50	silver	high-gloss chromed	3	M10	16	21	22	37	10	24	54,5	58,5	80	91	11	22	50
K1659.3106X55	silver	high-gloss chromed	3	M10	16	21	22	37	10	24	54,5	58,5	80	91	11	22	55
K1659.3106X60	silver	high-gloss chromed	3	M10	16	21	22	37	10	24	54,5	58,5	80	91	11	22	60
K1659.4101X20	jet black RAL 9005	satin finish	4	M10	19	27	27,5	43	10	27	63	67,5	95	109	13	24	20
K1659.4101X25	jet black RAL 9005	satin finish	4	M10	19	27	27,5	43	10	27	63	67,5	95	109	13	24	25





## Adjustable handles, die-cast zinc with external thread, threaded insert blue passivated steel

Order No.	Main color	Surface finish body	Size	X	D	D1	D2	H	H1	H2	H3	H4	A	A1	B	No. of teeth	L
K1659.4122X45	orange RAL 2004	powder coated	4	M12	19	27	27,5	43	10	27	63	67,5	95	109	13	24	45
K1659.4122X50	orange RAL 2004	powder coated	4	M12	19	27	27,5	43	10	27	63	67,5	95	109	13	24	50
K1659.4122X55	orange RAL 2004	powder coated	4	M12	19	27	27,5	43	10	27	63	67,5	95	109	13	24	55
K1659.4122X60	orange RAL 2004	powder coated	4	M12	19	27	27,5	43	10	27	63	67,5	95	109	13	24	60
K1659.4122X70	orange RAL 2004	powder coated	4	M12	19	27	27,5	43	10	27	63	67,5	95	109	13	24	70
K1659.4122X80	orange RAL 2004	powder coated	4	M12	19	27	27,5	43	10	27	63	67,5	95	109	13	24	80
K1659.4122X90	orange RAL 2004	powder coated	4	M12	19	27	27,5	43	10	27	63	67,5	95	109	13	24	90
K1659.4123X20	silver metallic	powder coated	4	M12	19	27	27,5	43	10	27	63	67,5	95	109	13	24	20
K1659.4123X25	silver metallic	powder coated	4	M12	19	27	27,5	43	10	27	63	67,5	95	109	13	24	25
K1659.4123X30	silver metallic	powder coated	4	M12	19	27	27,5	43	10	27	63	67,5	95	109	13	24	30
K1659.4123X35	silver metallic	powder coated	4	M12	19	27	27,5	43	10	27	63	67,5	95	109	13	24	35
K1659.4123X40	silver metallic	powder coated	4	M12	19	27	27,5	43	10	27	63	67,5	95	109	13	24	40
K1659.4123X45	silver metallic	powder coated	4	M12	19	27	27,5	43	10	27	63	67,5	95	109	13	24	45
K1659.4123X50	silver metallic	powder coated	4	M12	19	27	27,5	43	10	27	63	67,5	95	109	13	24	50
K1659.4123X55	silver metallic	powder coated	4	M12	19	27	27,5	43	10	27	63	67,5	95	109	13	24	55
K1659.4123X60	silver metallic	powder coated	4	M12	19	27	27,5	43	10	27	63	67,5	95	109	13	24	60
K1659.4123X70	silver metallic	powder coated	4	M12	19	27	27,5	43	10	27	63	67,5	95	109	13	24	70
K1659.4123X80	silver metallic	powder coated	4	M12	19	27	27,5	43	10	27	63	67,5	95	109	13	24	80
K1659.4123X90	silver metallic	powder coated	4	M12	19	27	27,5	43	10	27	63	67,5	95	109	13	24	90
K1659.4126X20	silver	high-gloss chromed	4	M12	19	27	27,5	43	10	27	63	67,5	95	109	13	24	20
K1659.4126X25	silver	high-gloss chromed	4	M12	19	27	27,5	43	10	27	63	67,5	95	109	13	24	25
K1659.4126X30	silver	high-gloss chromed	4	M12	19	27	27,5	43	10	27	63	67,5	95	109	13	24	30
K1659.4126X35	silver	high-gloss chromed	4	M12	19	27	27,5	43	10	27	63	67,5	95	109	13	24	35
K1659.4126X40	silver	high-gloss chromed	4	M12	19	27	27,5	43	10	27	63	67,5	95	109	13	24	40
K1659.4126X45	silver	high-gloss chromed	4	M12	19	27	27,5	43	10	27	63	67,5	95	109	13	24	45
K1659.4126X50	silver	high-gloss chromed	4	M12	19	27	27,5	43	10	27	63	67,5	95	109	13	24	50
K1659.4126X55	silver	high-gloss chromed	4	M12	19	27	27,5	43	10	27	63	67,5	95	109	13	24	55
K1659.4126X60	silver	high-gloss chromed	4	M12	19	27	27,5	43	10	27	63	67,5	95	109	13	24	60
K1659.4126X70	silver	high-gloss chromed	4	M12	19	27	27,5	43	10	27	63	67,5	95	109	13	24	70
K1659.4126X80	silver	high-gloss chromed	4	M12	19	27	27,5	43	10	27	63	67,5	95	109	13	24	80
K1659.4126X90	silver	high-gloss chromed	4	M12	19	27	27,5	43	10	27	63	67,5	95	109	13	24	90
K1659.5121X25	jet black RAL 9005	satın finish	5	M12	23	31	32	49	12	31,5	73	77,5	110	126	15	26	25
K1659.5121X30	jet black RAL 9005	satın finish	5	M12	23	31	32	49	12	31,5	73	77,5	110	126	15	26	30
K1659.5121X35	jet black RAL 9005	satın finish	5	M12	23	31	32	49	12	31,5	73	77,5	110	126	15	26	35
K1659.5121X40	jet black RAL 9005	satın finish	5	M12	23	31	32	49	12	31,5	73	77,5	110	126	15	26	40
K1659.5121X45	jet black RAL 9005	satın finish	5	M12	23	31	32	49	12	31,5	73	77,5	110	126	15	26	45
K1659.5121X50	jet black RAL 9005	satın finish	5	M12	23	31	32	49	12	31,5	73	77,5	110	126	15	26	50
K1659.5121X55	jet black RAL 9005	satın finish	5	M12	23	31	32	49	12	31,5	73	77,5	110	126	15	26	55
K1659.5121X60	jet black RAL 9005	satın finish	5	M12	23	31	32	49	12	31,5	73	77,5	110	126	15	26	60
K1659.5121X70	jet black RAL 9005	satın finish	5	M12	23	31	32	49	12	31,5	73	77,5	110	126	15	26	70
K1659.5121X80	jet black RAL 9005	satın finish	5	M12	23	31	32	49	12	31,5	73	77,5	110	126	15	26	80
K1659.5121X90	jet black RAL 9005	satın finish	5	M12	23	31	32	49	12	31,5	73	77,5	110	126	15	26	90
K1659.5122X25	orange RAL 2004	powder coated	5	M12	23	31	32	49	12	31,5	73	77,5	110	126	15	26	25
K1659.5122X30	orange RAL 2004	powder coated	5	M12	23	31	32	49	12	31,5	73	77,5	110	126	15	26	30
K1659.5122X35	orange RAL 2004	powder coated	5	M12	23	31	32	49	12	31,5	73	77,5	110	126	15	26	35
K1659.5122X40	orange RAL 2004	powder coated	5	M12	23	31	32	49	12	31,5	73	77,5	110	126	15	26	40
K1659.5122X45	orange RAL 2004	powder coated	5	M12	23	31	32	49	12	31,5	73	77,5	110	126	15	26	45
K1659.5122X50	orange RAL 2004	powder coated	5	M12	23	31	32	49	12	31,5	73	77,5	110	126	15	26	50
K1659.5122X55	orange RAL 2004	powder coated	5	M12	23	31	32	49	12	31,5	73	77,5	110	126	15	26	55
K1659.5122X60	orange RAL 2004	powder coated	5	M12	23	31	32	49	12	31,5	73	77,5	110	126	15	26	60
K1659.5122X70	orange RAL 2004	powder coated	5	M12	23	31	32	49	12	31,5	73	77,5	110	126	15	26	70
K1659.5122X80	orange RAL 2004	powder coated	5	M12	23	31	32	49	12	31,5	73	77,5	110	126	15	26	80
K1659.5122X90	orange RAL 2004	powder coated	5	M12	23	31	32	49	12	31,5	73	77,5	110	126	15	26	90
K1659.5123X25	silver metallic	powder coated	5	M12	23	31	32	49	12	31,5	73	77,5	110	126	15	26	25
K1659.5123X30	silver metallic	powder coated	5	M12	23	31	32	49	12	31,5	73	77,5	110	126	15	26	30
K1659.5123X35	silver metallic	powder coated	5	M12	23	31	32	49	12	31,5	73	77,5	110	126	15	26	35
K1659.5123X40	silver metallic	powder coated	5	M12	23	31	32	49	12	31,5	73	77,5	110	126	15	26	40
K1659.5123X45	silver metallic	powder coated	5	M12	23	31	32	49	12	31,5	73	77,5	110	126	15	26	45
K1659.5123X50	silver metallic	powder coated	5	M12	23	31	32	49	12	31,5	73	77,5	110	126	15	26	50
K1659.5123X55	silver metallic	powder coated	5	M12	23	31	32	49	12	31,5	73	77,5	110	126	15	26	55
K1659.5123X60	silver metallic	powder coated	5	M12	23	31	32	49	12	31,5	73	77,5	110	126	15	26	60
K1659.5123X70	silver metallic	powder coated	5	M12	23	31	32	49	12	31,5	73	77,5	110	126	15	26	70
K1659.5123X80	silver metallic	powder coated	5	M12	23	31	32	49	12	31,5	73	77,5	110	126	15	26	80

## Adjustable handles, die-cast zinc with external thread, threaded insert blue passivated steel

Order No.	Main color	Surface finish body	Size	X	D	D1	D2	H	H1	H2	H3	H4	A	A1	B	No. of teeth	L
K1659.5123X90	silver metallic	powder coated	5	M12	23	31	32	49	12	31,5	73	77,5	110	126	15	26	90
K1659.5126X25	silver	high-gloss chromed	5	M12	23	31	32	49	12	31,5	73	77,5	110	126	15	26	25
K1659.5126X30	silver	high-gloss chromed	5	M12	23	31	32	49	12	31,5	73	77,5	110	126	15	26	30
K1659.5126X35	silver	high-gloss chromed	5	M12	23	31	32	49	12	31,5	73	77,5	110	126	15	26	35
K1659.5126X40	silver	high-gloss chromed	5	M12	23	31	32	49	12	31,5	73	77,5	110	126	15	26	40
K1659.5126X45	silver	high-gloss chromed	5	M12	23	31	32	49	12	31,5	73	77,5	110	126	15	26	45
K1659.5126X50	silver	high-gloss chromed	5	M12	23	31	32	49	12	31,5	73	77,5	110	126	15	26	50
K1659.5126X55	silver	high-gloss chromed	5	M12	23	31	32	49	12	31,5	73	77,5	110	126	15	26	55
K1659.5126X60	silver	high-gloss chromed	5	M12	23	31	32	49	12	31,5	73	77,5	110	126	15	26	60
K1659.5126X70	silver	high-gloss chromed	5	M12	23	31	32	49	12	31,5	73	77,5	110	126	15	26	70
K1659.5126X80	silver	high-gloss chromed	5	M12	23	31	32	49	12	31,5	73	77,5	110	126	15	26	80
K1659.5126X90	silver	high-gloss chromed	5	M12	23	31	32	49	12	31,5	73	77,5	110	126	15	26	90
K1659.5161X25	jet black RAL 9005	satın finish	5	M16	23	31	32	49	12	31,10	73	77,10	110	126	15	26	25
K1659.5161X30	jet black RAL 9005	satın finish	5	M16	23	31	32	49	12	31,10	73	77,10	110	126	15	26	30
K1659.5161X35	jet black RAL 9005	satın finish	5	M16	23	31	32	49	12	31,10	73	77,10	110	126	15	26	35
K1659.5161X40	jet black RAL 9005	satın finish	5	M16	23	31	32	49	12	31,10	73	77,10	110	126	15	26	40
K1659.5161X45	jet black RAL 9005	satın finish	5	M16	23	31	32	49	12	31,10	73	77,10	110	126	15	26	45
K1659.5161X50	jet black RAL 9005	satın finish	5	M16	23	31	32	49	12	31,10	73	77,10	110	126	15	26	50
K1659.5161X55	jet black RAL 9005	satın finish	5	M16	23	31	32	49	12	31,10	73	77,10	110	126	15	26	55
K1659.5161X60	jet black RAL 9005	satın finish	5	M16	23	31	32	49	12	31,10	73	77,10	110	126	15	26	60
K1659.5161X70	jet black RAL 9005	satın finish	5	M16	23	31	32	49	12	31,10	73	77,10	110	126	15	26	70
K1659.5161X80	jet black RAL 9005	satın finish	5	M16	23	31	32	49	12	31,10	73	77,10	110	126	15	26	80
K1659.5161X90	jet black RAL 9005	satın finish	5	M16	23	31	32	49	12	31,10	73	77,10	110	126	15	26	90
K1659.5162X25	orange RAL 2004	powder coated	5	M16	23	31	32	49	12	31,10	73	77,10	110	126	15	26	25
K1659.5162X30	orange RAL 2004	powder coated	5	M16	23	31	32	49	12	31,10	73	77,10	110	126	15	26	30
K1659.5162X35	orange RAL 2004	powder coated	5	M16	23	31	32	49	12	31,10	73	77,10	110	126	15	26	35
K1659.5162X40	orange RAL 2004	powder coated	5	M16	23	31	32	49	12	31,10	73	77,10	110	126	15	26	40
K1659.5162X45	orange RAL 2004	powder coated	5	M16	23	31	32	49	12	31,10	73	77,10	110	126	15	26	45
K1659.5162X50	orange RAL 2004	powder coated	5	M16	23	31	32	49	12	31,10	73	77,10	110	126	15	26	50
K1659.5162X55	orange RAL 2004	powder coated	5	M16	23	31	32	49	12	31,10	73	77,10	110	126	15	26	55
K1659.5162X60	orange RAL 2004	powder coated	5	M16	23	31	32	49	12	31,10	73	77,10	110	126	15	26	60
K1659.5162X70	orange RAL 2004	powder coated	5	M16	23	31	32	49	12	31,10	73	77,10	110	126	15	26	70
K1659.5162X80	orange RAL 2004	powder coated	5	M16	23	31	32	49	12	31,10	73	77,10	110	126	15	26	80
K1659.5162X90	orange RAL 2004	powder coated	5	M16	23	31	32	49	12	31,10	73	77,10	110	126	15	26	90
K1659.5163X25	silver metallic	powder coated	5	M16	23	31	32	49	12	31,10	73	77,10	110	126	15	26	25
K1659.5163X30	silver metallic	powder coated	5	M16	23	31	32	49	12	31,10	73	77,10	110	126	15	26	30
K1659.5163X35	silver metallic	powder coated	5	M16	23	31	32	49	12	31,10	73	77,10	110	126	15	26	35
K1659.5163X40	silver metallic	powder coated	5	M16	23	31	32	49	12	31,10	73	77,10	110	126	15	26	40
K1659.5163X45	silver metallic	powder coated	5	M16	23	31	32	49	12	31,10	73	77,10	110	126	15	26	45
K1659.5163X50	silver metallic	powder coated	5	M16	23	31	32	49	12	31,10	73	77,10	110	126	15	26	50
K1659.5163X55	silver metallic	powder coated	5	M16	23	31	32	49	12	31,10	73	77,10	110	126	15	26	55
K1659.5163X60	silver metallic	powder coated	5	M16	23	31	32	49	12	31,10	73	77,10	110	126	15	26	60
K1659.5163X70	silver metallic	powder coated	5	M16	23	31	32	49	12	31,10	73	77,10	110	126	15	26	70
K1659.5163X80	silver metallic	powder coated	5	M16	23	31	32	49	12	31,10	73	77,10	110	126	15	26	80
K1659.5163X90	silver metallic	powder coated	5	M16	23	31	32	49	12	31,10	73	77,10	110	126	15	26	90
K1659.5166X25	silver	high-gloss chromed	5	M16	23	31	32	49	12	31,10	73	77,10	110	126	15	26	25
K1659.5166X30	silver	high-gloss chromed	5	M16	23	31	32	49	12	31,10	73	77,10	110	126	15	26	30
K1659.5166X35	silver	high-gloss chromed	5	M16	23	31	32	49	12	31,10	73	77,10	110	126	15	26	35
K1659.5166X40	silver	high-gloss chromed	5	M16	23	31	32	49	12	31,10	73	77,10	110	126	15	26	40
K1659.5166X45	silver	high-gloss chromed	5	M16	23	31	32	49	12	31,10	73	77,10	110	126	15	26	45
K1659.5166X50	silver	high-gloss chromed	5	M16	23	31	32	49	12	31,10	73	77,10	110	126	15	26	50
K1659.5166X55	silver	high-gloss chromed	5	M16	23	31	32	49	12	31,10	73	77,10	110	126	15	26	55
K1659.5166X60	silver	high-gloss chromed	5	M16	23	31	32	49	12	31,10	73	77,10	110	126	15	26	60
K1659.5166X70	silver	high-gloss chromed	5	M16	23	31	32	49	12	31,10	73	77,10	110	126	15	26	70
K1659.5166X80	silver	high-gloss chromed	5	M16	23	31	32	49	12	31,10	73	77,10	110	126	15	26	80
K1659.5166X90	silver	high-gloss chromed	5	M16	23	31	32	49	12	31,10	73	77,10	110	126	15	26	90

**Adjustable handles, die-cast zinc with external thread, threaded insert  
blue passivated steel**

---

