

Barrel locks with return spring steel or brass bevel up or down

Item description/product images



Description

Material:
Steel or brass.

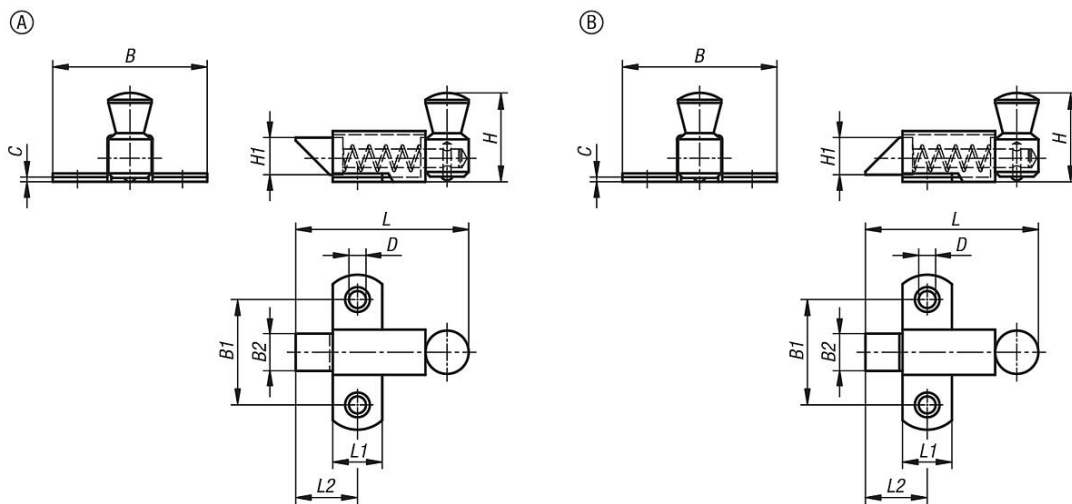
Version:
Steel zinc-plated.
Brass chromed.

Note:
Barrel locks with return spring can be easily screwed onto doors, hatches and hoods. These locks are available in two different variants: bevelled upward or bevelled downward. The bevelled surface allows the application to be closed or opened without actuating the grip. The integrated return spring always brings the grip back to its original position.

Type of operation:
When the grip is pushed, the barrel moves into the open position and the door can be opened. When the door is pushed to, it is locked automatically by the bevel.

Accessory:
Locking plate steel or brass K1669.

Drawings



Barrel locks with return spring steel or brass

Order No.	style	Style definition	Main material	Surface finish body	B	B1	B2	C	D	H	H1	L	L1	L2
K1668.036350	A	lock grip upward	steel	electro zinc-plated	35	23	8	1,2	3,5	19	8	36,5	11	13,5
K1668.056500	A	lock grip upward	steel	electro zinc-plated	50	34	12	1,5	4,8	29,5	12	56	16	19
K1668.073700	A	lock grip upward	steel	electro zinc-plated	70	45	16	2	7	38	16	73	22	28
K1668.136350	B	lock grip downward	steel	electro zinc-plated	35	23	8	1,2	3,5	19	8	36,5	11	13,5
K1668.156500	B	lock grip downward	steel	electro zinc-plated	50	34	12	1,5	4,8	29,5	12	56	16	19
K1668.173700	B	lock grip downward	steel	electro zinc-plated	70	45	16	2	7	38	16	73	22	28
K1668.036351	A	lock grip upward	brass	chromed	35	23	8	1,2	3,5	19	8	36,5	11	13,5
K1668.056501	A	lock grip upward	brass	chromed	50	34	12	1,5	4,8	29,5	12	56	16	19
K1668.073701	A	lock grip upward	brass	chromed	70	45	16	2	7	38	16	73	22	28

Barrel locks with return spring steel or brass bevel up or down

Order No.	style	Style definition	Main material	Surface finish body	B	B1	B2	C	D	H	H1	L	L1	L2
K1668.136351	B	lock grip downward	brass	chromed	35	23	8	1,2	3,5	19	8	36,5	11	13,5
K1668.156501	B	lock grip downward	brass	chromed	50	34	12	1,5	4,8	29,5	12	56	16	19
K1668.173701	B	lock grip downward	brass	chromed	70	45	16	2	7	38	16	73	22	28