

# Stainless steel telescopic slides for side mounting, full extension, load capacity up to 80 kg

Item description/product images



## Description

### Material:

Slides stainless steel 1.4301 (AISI 304 equivalent).  
Ball cage stainless steel 1.4301 (AISI 304 equivalent).  
Balls stainless steel 1.4034 (AISI 420 equivalent).

### Version:

Slides bright.  
Ball cages bright.  
Balls bright.

### Order information:

Sold in pairs.

### Note:

On telescopic slides with full extension, the travel is similar to the installed length, which ensures greater comfort and accessibility. Latches in closed position. The dynamic load capacity of the telescopic slides indicates the maximum load rating of a vertically mounted slide pair when the entire extension length is used. The load capacity specified is calculated with a slide spacing of 450 mm and is based on the maximum value with 10,000 or 80,000 cycles.

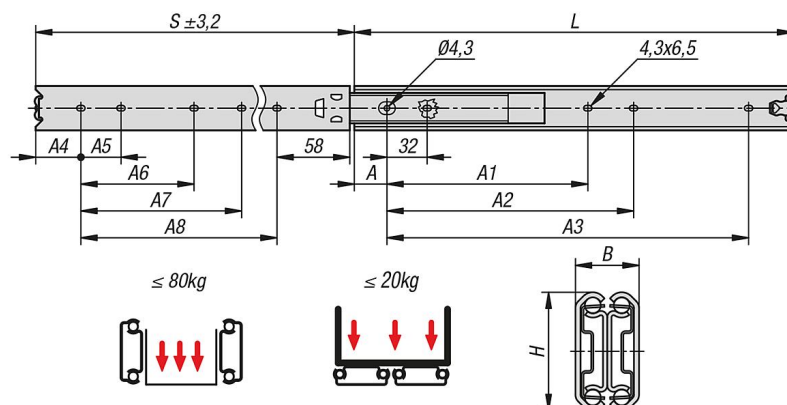
The load capacity is ca. 75% lower by horizontal mounting.

The head height of the fastening screws should not exceed 2.5 mm otherwise there is a risk of collision with other parts of the slide.

### Benefits:

Latches in closed position  
Suitable for flat mounting  
Light running

## Drawings



Stainless steel telescopic slides for side mounting, full extension, load capacity up to 80 kg

## Stainless steel telescopic slides for side mounting, full extension, load capacity up to 80 kg

Order No.	Assembly	Product type	Load capacity per pair (80,000 cycles) kg	Loading pair (10,000 cycles) kg	Packaging type
<b>K1715.0300</b>	side mounting	standard	50	65	1 piece = 1 pair
<b>K1715.0350</b>	side mounting	standard	55	70	1 piece = 1 pair
<b>K1715.0400</b>	side mounting	standard	60	75	1 piece = 1 pair
<b>K1715.0450</b>	side mounting	standard	65	80	1 piece = 1 pair
<b>K1715.0500</b>	side mounting	standard	57	75	1 piece = 1 pair
<b>K1715.0550</b>	side mounting	standard	50	70	1 piece = 1 pair
<b>K1715.0600</b>	side mounting	standard	45	65	1 piece = 1 pair
<b>K1715.0700</b>	side mounting	standard	30	55	1 piece = 1 pair

Order No.	A	A1	A2	A3	A4	A5	A6	A7	A8	B	H	Travel S	L
<b>K1715.0300</b>	26	-	192	224	18	32	-	-	224	19,1	35,3	304,5	300
<b>K1715.0350</b>	26	-	224	256	36	32	-	-	256	19,1	35,3	354	350
<b>K1715.0400</b>	26	-	192	320	22	32	-	160	320	19,1	35,3	403	400
<b>K1715.0450</b>	26	-	224	352	40	32	-	160	352	19,1	35,3	452	450
<b>K1715.0500</b>	26	256	288	416	26	32	160	192	416	19,1	35,3	501	500
<b>K1715.0550</b>	26	288	320	480	44	32	160	192	448	19,1	35,3	550,5	550
<b>K1715.0600</b>	26	320	352	512	30	32	192	224	512	19,1	35,3	600	600
<b>K1715.0700</b>	26	352	384	608	34	32	256	288	608	19,1	35,3	698	700