

Steel telescopic slides for side mounting, full extension, load capacity up to 160 kg

Item description/product images



Description

Material:

Slides steel.
Ball cages steel.
Balls, steel.

Version:

Slides electro zinc-plated.
Ball cages, electro zinc-plated.
Balls hardened.

Order information:

Sold in pairs.

Note:

By telescopic slides with full extension, the travel is roughly equal to the installed length, which ensures greater comfort and accessibility. Latches in closed position. When the release lever is actuated, the drawer can be taken out easily and separated from the guide. The dynamic load capacity of the telescopic slides indicates the maximum load rating of a vertically mounted slide pair when the entire extension length is used. The load capacities specified refer to the maximum value for 80,000 cycles.

The load capacity is ca. 75% lower by horizontal mounting.

Suitable for a slide spacing up to 1,000 mm.

Temperature range:

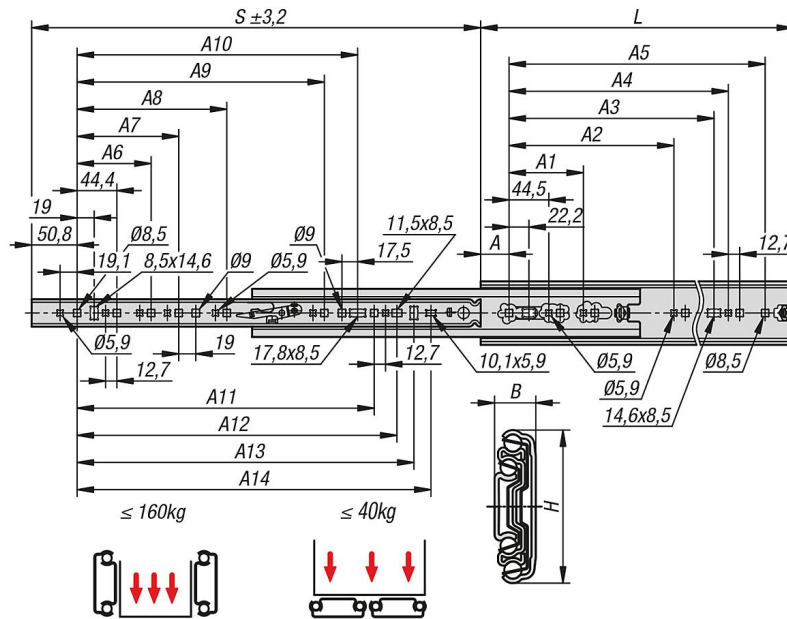
-20 °C - +70 °C.

Benefits:

Latches in closed position
Quick frontal release
Suitable for flat mounting

Steel telescopic slides for side mounting, full extension, load capacity up to 160 kg

Drawings



Steel telescopic slides for side mounting, full extension, load capacity up to 160 kg

Item No.	Assembly	Product type	Loading per pair kg	Packaging type
K1717.0305	side mounting	standard	140	1 piece = 1 pair
K1717.0356	side mounting	standard	140	1 piece = 1 pair
K1717.0407	side mounting	standard	150	1 piece = 1 pair
K1717.0457	side mounting	standard	150	1 piece = 1 pair
K1717.0508	side mounting	standard	160	1 piece = 1 pair
K1717.0559	side mounting	standard	160	1 piece = 1 pair
K1717.0610	side mounting	standard	160	1 piece = 1 pair
K1717.0660	side mounting	standard	160	1 piece = 1 pair
K1717.0711	side mounting	standard	160	1 piece = 1 pair
K1717.0762	side mounting	standard	160	1 piece = 1 pair
K1717.0813	side mounting	standard	160	1 piece = 1 pair
K1717.0864	side mounting	standard	160	1 piece = 1 pair
K1717.0914	side mounting	standard	160	1 piece = 1 pair

Order No.	A	A1	A2	A3	A4	A5	A6	A7	A8	A9	A10	A11	A12	A13	A14	B	H	Travel S	L
K1717.0305	31,8	-	-	184,2	200,2	241,3	-	-	-	-	-	-	-	179,4	198,5	19,1	70,8	304,8	304,8
K1717.0356	31,8	-	-	235	251	292,1	-	-	-	-	-	-	-	230,2	249,3	19,1	70,8	355,6	355,6
K1717.0407	31,8	-	-	285,8	301,8	342,9	108	-	-	-	-	236,6	262	281	300,1	19,1	70,8	406,4	406,4
K1717.0457	31,8	-	-	336,6	352,6	393,7	108	-	-	-	-	287,4	312,8	331,8	350,9	19,1	70,8	457,2	457,2
K1717.0508	31,8	-	-	387,4	403,4	444,5	108	171,5	-	-	-	338,2	363,6	382,6	401,7	19,1	70,8	508	508
K1717.0559	31,8	-	-	438,2	454,2	495,3	108	171,5	-	-	328,7	389	414,4	433,4	452,5	19,1	70,8	558,8	558,8
K1717.0610	31,8	-	-	489	505	546,1	108	171,5	-	-	379,5	439,8	465,2	484,2	503,3	19,1	70,8	609,6	609,6
K1717.0660	31,8	-	-	539,8	555,8	596,9	108	171,5	-	-	430,3	490,6	516	535	554,1	19,1	70,8	660,4	660,4
K1717.0711	31,8	-	-	590,6	606,6	647,7	108	171,5	-	-	481,1	541,4	566,8	585,8	604,9	19,1	70,8	711,2	711,2
K1717.0762	31,8	203,2	469,9	641,4	657,4	698,5	108	171,5	-	-	531,9	592,2	617,6	636,6	655,7	19,1	70,8	762	762
K1717.0813	31,8	203,2	520,7	692,2	708,2	749,3	108	171,5	-	-	582,7	643	688,4	687,4	706,5	19,1	70,8	812,8	812,8
K1717.0864	31,8	203,2	571,5	743	759	800,1	108	171,5	349,3	-	633,5	693,8	719,2	738,2	757,3	19,1	70,8	863,6	863,6
K1717.0914	31,8	203,2	622,3	793,8	809,8	850,9	108	171,5	349,3	501,7	684,3	744,6	770	789	808,1	19,1	70,8	914,4	914,4

