

Aluminium telescopic slides for side mounting, full extension, load capacity up to 300 kg

Item description/product images



Description

Material:

Rail aluminum.
Ball cage stainless steel 1.4301 (AISI 304 equivalent).
Balls stainless steel 1.4021 (AISI 420 equivalent).

Version:

Slides bright.
Ball cages bright.
Balls bright.

Order information:

Sold in pairs.

Note:

By telescopic slides with full extension, the travel is roughly equal to the installed length, which ensures greater comfort and accessibility. The dynamic load capacity of the telescopic slides indicates the maximum load rating of a vertically mounted slide pair when the entire extension length is used. The load capacity specified is calculated with a slide spacing of 600 mm and is based on the maximum value with 10,000 cycles.

Not suitable for horizontal mounting.

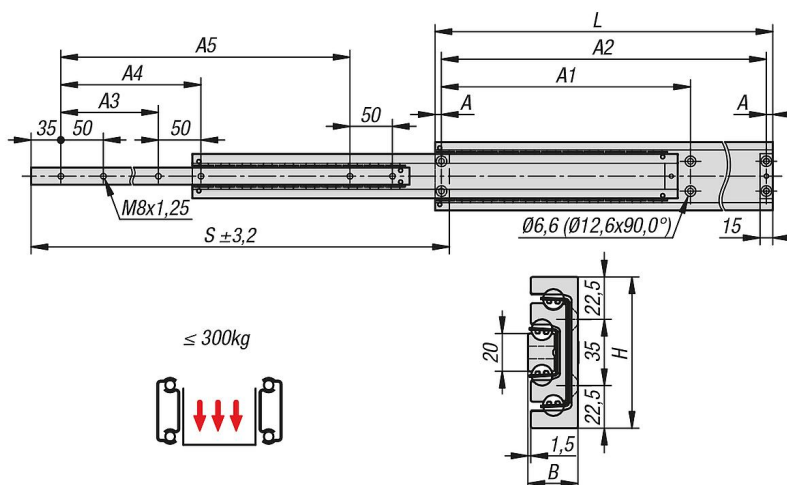
Re-lubrication with high pressure grease is recommended after 2,000 cycles.

The end plate has been tested with the specified load rating over 10 cycles and a speed of 0.8 m/s. External end plates are also recommended.

Temperature range:

-20°C to +110°C.

Drawings



Aluminium telescopic slides for side mounting, full extension, load capacity up to 300 kg

Aluminum telescopic slides for side mounting, full extension, load capacity up to 300 kg

Item No.	Assembly	Product type	Loading per pair kg	Packaging type
K1721.0300	side mounting	standard	240	1 piece = 1 pair
K1721.0350	side mounting	standard	255	1 piece = 1 pair
K1721.0400	side mounting	standard	270	1 piece = 1 pair
K1721.0450	side mounting	standard	285	1 piece = 1 pair
K1721.0500	side mounting	standard	300	1 piece = 1 pair
K1721.0550	side mounting	standard	300	1 piece = 1 pair
K1721.0600	side mounting	standard	300	1 piece = 1 pair
K1721.0650	side mounting	standard	295	1 piece = 1 pair
K1721.0700	side mounting	standard	290	1 piece = 1 pair
K1721.0800	side mounting	standard	270	1 piece = 1 pair
K1721.0900	side mounting	standard	250	1 piece = 1 pair
K1721.1000	side mounting	standard	230	1 piece = 1 pair

Order No.	A	A1	A2	A3	A4	A5	B	H	Travel S	L
K1721.0300	7,5	142,5	285	75	125	150	26,5	80	300	300
K1721.0350	7,5	167,5	335	100	150	200	26,5	80	350	350
K1721.0400	7,5	192,5	385	125	175	250	26,5	80	400	400
K1721.0450	7,5	217,5	435	150	200	300	26,5	80	450	450
K1721.0500	7,5	242,5	485	175	225	350	26,5	80	500	500
K1721.0550	7,5	267,5	535	200	250	400	26,5	80	550	550
K1721.0600	7,5	292,5	585	225	275	450	26,5	80	600	600
K1721.0650	7,5	317,5	635	250	300	500	26,5	80	650	650
K1721.0700	7,5	342,5	685	275	325	550	26,5	80	700	700
K1721.0800	7,5	392,5	785	325	375	650	26,5	80	800	800
K1721.0900	7,5	442,5	885	375	425	750	26,5	80	900	900
K1721.1000	7,5	492,5	985	425	475	850	26,5	80	1000	1000