

Lock bottom parts for quarter turn latches

Item description/product images



Description

Material:
Die-cast zinc.

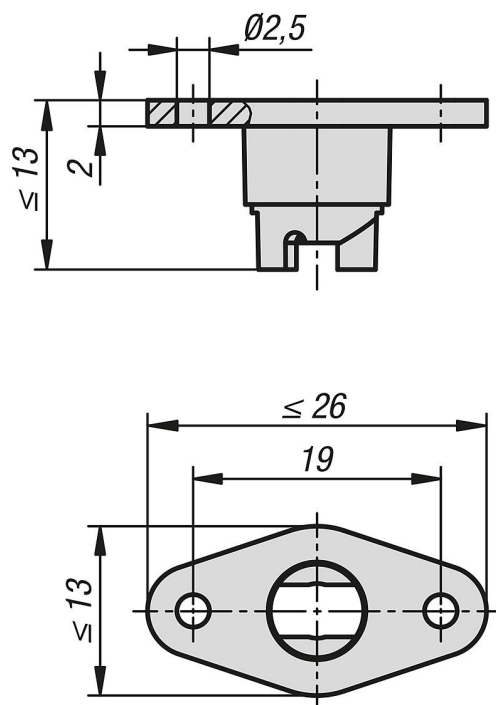
Version:
nickel-plated.

Note:
The lock bottom part can be either screwed or riveted to the frame.

Accessory:
Quarter turn latches K1730.

Lock bottom parts for quarter turn latches

Drawings



Lock bottom parts for quarter turn latches

Item No.	Item	for Art. No.
K1732.06	Lock bottom part	K1730