

Swivel casters

Item description/product images



Description

Material:

Housing steel plate.
Wheel treads solid rubber.
Wheel rims polyamide.

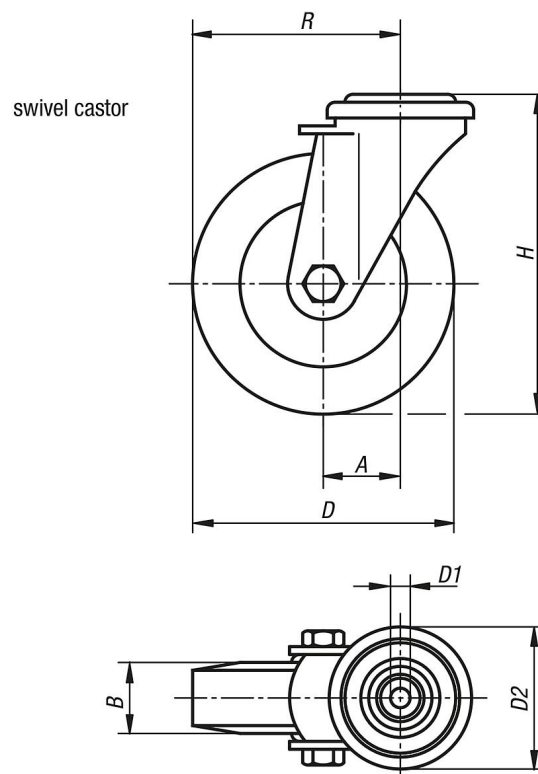
Version:

Housing press styleed.
Double ball bearing in the caster head.
Plain bearing in wheels.

Note:

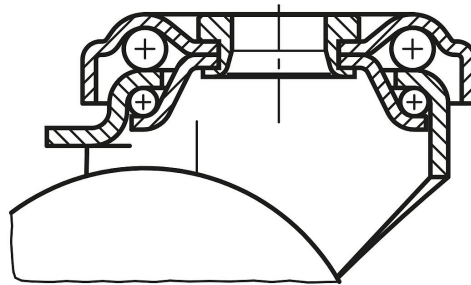
Wheel axle bolted.
Swivel and fixed casters with bolt hole.
Wheels gray, non-marking.

Drawings



Drawings

swivel head bearing



Order No.	Item	Version 1	Wheel bearing	A	B	D	D1	D2	H	R	Permissible load kg
K1759.05018	Swivel caster	without locking system	plain bearing	25	18	50	11	43	69	50	40
K1759.07525	Swivel caster	without locking system	plain bearing	28	25	75	11	43	98	65,5	60
K1759.10025	Swivel caster	without locking system	plain bearing	33	25	100	11	43	121	83	70