

Fixed casters

Item description/product images



Description

Material:

Housing steel plate.
 Wheel treads solid rubber.
 Wheel rims polyamide.

Version:

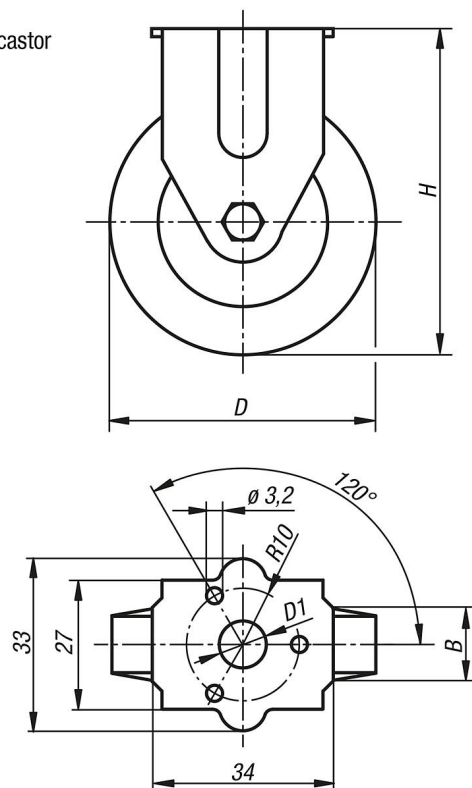
Pressed housing; wheels with slide bearing

Note:

Wheel axle bolted.
 Swivel and fixed casters with bolt hole.
 Wheels gray, non-marking.

Drawings

fixed castor



Order No.	Item	Version 1	Wheel bearing	B	D	D1	H	Permissible load kg
K1759.050181	Fixed caster	without locking system	plain bearing	18	50	11	69	40

Fixed casters

Order No.	Item	Version 1	Wheel bearing	B	D	D1	H	Permissible load kg
K1759.075251	Fixed caster	without locking system	plain bearing	25	75	11	98	60