

# Swivel casters with stop fix

## Item description/product images



### Description

**Material:**

Housing steel plate.  
 Wheel treads solid rubber.  
 Wheel rims polyamide.

**Version:**

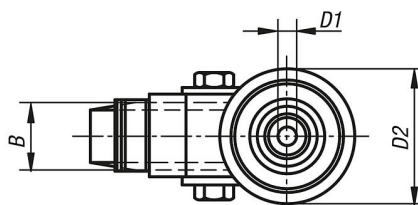
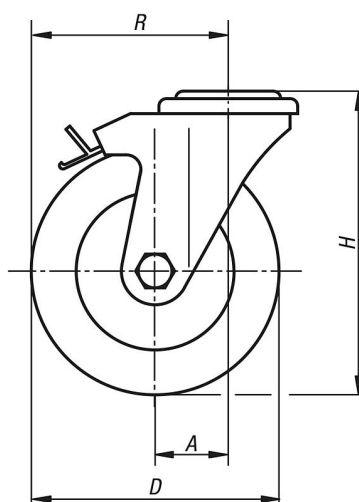
Housing press styleed.  
 Double ball bearing in the caster head.  
 Plain bearing in wheels.

**Note:**

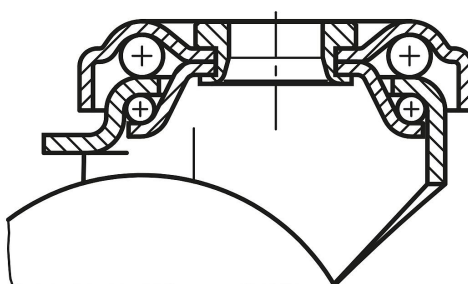
Wheel axle bolted.  
 Swivel and fixed casters with bolt hole.  
 Wheels gray, non-marking.

## Drawings

swivel castor  
with "stop-fix"



swivel head bearing



## Swivel casters with stop fix

Order No.	Item	Version 1	Wheel bearing	A	B	D	D1	D2	H	R	Permissible load kg
K1759.050182	Swivel caster	with stop-fix locking system	plain bearing	25	18	50	11	43	69	50	40
K1759.075252	Swivel caster	with stop-fix locking system	plain bearing	28	25	75	11	43	98	65,5	60
K1759.100252	Swivel caster	with stop-fix locking system	plain bearing	33	25	100	11	43	121	83	70