

# Fixed casters

## Item description/product images



### Description

**Material:**

Housing thick steel plate.  
Tyres steel-wire reinforced elastic solid rubber.  
Wheel body welded steel.

**Version:**

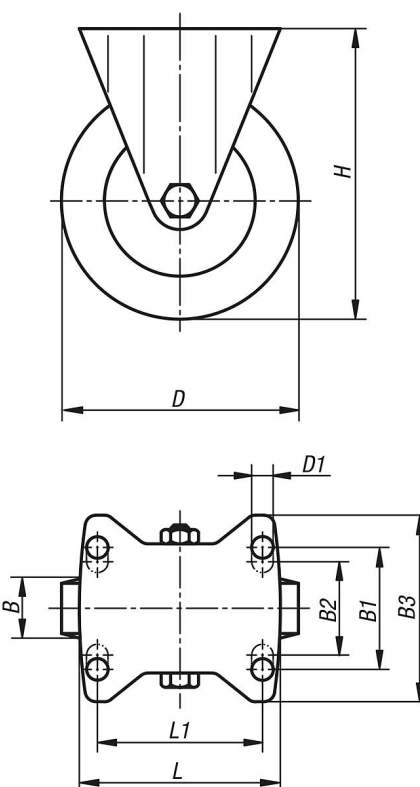
Pressed housing; reinforced fork, top plate and swivel head bolt; wheels with precision ball bearing

**Note:**

These casters are particularly impact and shock proof and assure a high service life. Wheel axle bolted.

## Drawings

fixed castor



| Order No.    | Item         | Version 1              | Wheel bearing | B  | B1 | B2 | B3  | D   | D1 | H   | L   | L1  | Permissible load kg |
|--------------|--------------|------------------------|---------------|----|----|----|-----|-----|----|-----|-----|-----|---------------------|
| K1763.100401 | Fixed caster | without locking system | ball bearing  | 40 | 60 | -  | 85  | 100 | 9  | 140 | 100 | 80  | 180                 |
| K1763.125501 | Fixed caster | without locking system | ball bearing  | 50 | 80 | 75 | 110 | 125 | 11 | 170 | 140 | 105 | 280                 |
| K1763.160501 | Fixed caster | without locking system | ball bearing  | 50 | 80 | 75 | 110 | 160 | 11 | 202 | 140 | 105 | 400                 |
| K1763.200501 | Fixed caster | without locking system | ball bearing  | 50 | 80 | 75 | 110 | 200 | 11 | 245 | 140 | 105 | 500                 |
| K1763.250601 | Fixed caster | without locking system | ball bearing  | 60 | 80 | 75 | 110 | 250 | 11 | 295 | 140 | 105 | 700                 |

